

BQD53

系列防爆磁力起动器(II B、II C)



适用范围 Application

- 适用于1区、2区危险场所。
- 适用于II A、II B、II C类，温度组别为T1~ T6的爆炸性气体环境。
- Can be used in hazardous areas: Zone 1 and Zone 2
- Can be used in explosive gas atmospheres of Category IIA、IIB and、II C where the temperature classification is T1 ~ T6.

型号含义 Model implication



产品特点 Features

- 壳体采用ZL102铝合金压铸成型，表面高压静电喷塑；
- 内装交流接触器、热继电器、自复位万能开关或按钮等；
- 可控制50Hz、380V三相异步电动机的直接起动、停止，并具有过载、缺相、失压保护功能；
- 钢管或电缆布线。
- The housing is die cast in aluminum alloy, with high voltage static plastic-sprayed surface.
- Inside is installed AC contactor, thermal relay, self-settable universal conversion switch.
- Able to directly control AC 50Hz, 380V asynchronous motor with the protection of overload, phase-failure and voltage-absent.
- Conduit wiring or cable wiring.

技术参数 Technical parameters

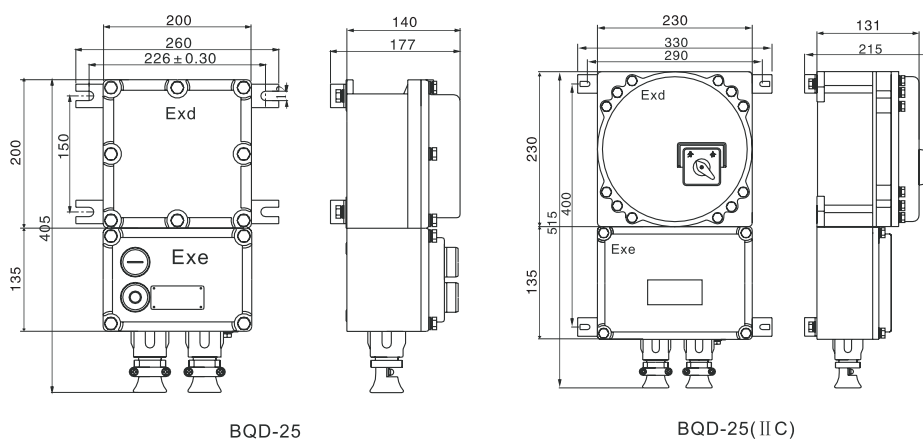
- 执行标准: GB 3836.1、GB 3836.2、GB 3836.3、IEC60079
- Implementing the standard: GB 3836.1、GB 3836.2、GB 3836.3、IEC60079
- 额定电压: AC 380V
- Rated voltage: AC380V
- 防护等级: IP54、IP65
- Protection grade: IP54、IP65
- 防腐等级: WF1
- Corrosion-proof grade: WF1

BQD53

series flame-proof type, explosion-proof, electromagnetic starter (II B、II C)

产品型号 Type	额定 电流 (A) Rated current	热继电器整定电 流调节范围(A) Setting current of thermal relay	控制电动机最大 功率(kW) Max power of controlled motor	进线口螺 纹(G") Inlet thread	电缆外径 (ϕ ,mm) Cable's outside diameter	防爆标志 Ex- proofmark
BQD53-9/□	9	7~12	4及以下	1	11~18	Exde II BT6 Gb *Exde II CT6
BQD53-12/□	12	9~13	5.5			
BQD53-18/□	18	12~18	7.5			
BQD53-25/□	25	17~25	11			
BQD53-40/□	40	28~45	18.5			
BQD53-63/□	63	40~63	30	1 1/2	14~25	
BQD53-100/□	100	75~120	40			
BQD53-9/□ N	9	7~10	4及以下	1	11~18	
BQD53-12/□ N	12	9~13	5.5			
BQD53-18/□ N	18	12~18	7.5			
BQD53-25/□ N	25	17~25	11			
BQD53-40/□ N	40	28~45	18.5			
BQD53-G20/□	20	0.25-0.40,0.40-0.63,0.63-1,1-1.6, 1.6-2.5,2.5-4-6,5.5-8,7-10,9-13	10	1	11~18	Exde II B T6
BQD53-G40/□	40	12-18,17-25,23-32,30-40	18.5	1 1/2	14~25	

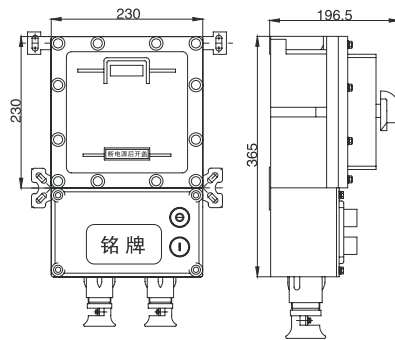
外形及安装举例 Outline and mounting example



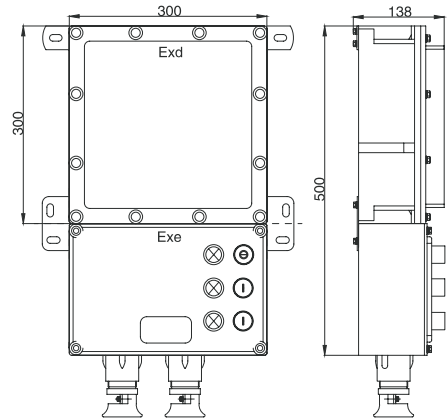
www. peopleex. cn

BQD53

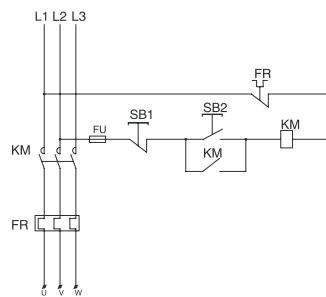
系列防爆磁力 起动器(II B、II C)



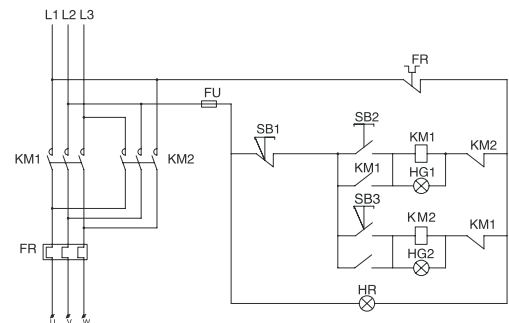
BQD-40



BQD-40N
BQD-60N



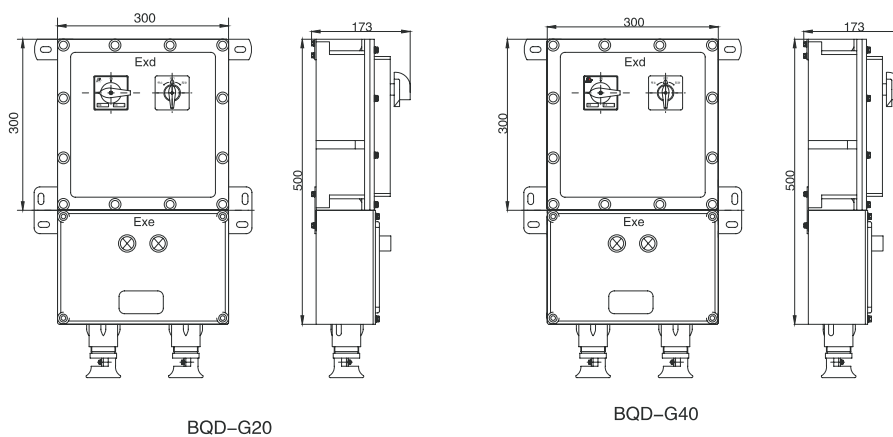
电器原理图(不可逆)



电器原理图(可逆)

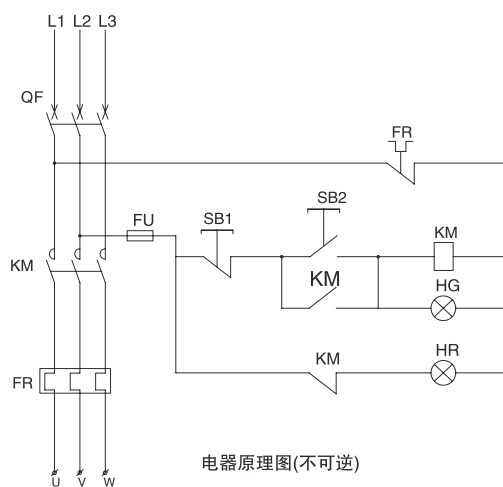
BQD53

series flame-proof type, explosion-proof, electromagnetic starter (II B、II C)



BQD-G20

BQD-G40



订货须知 Not ice if ordering

- 订货时请注明产品的完整型号；
- 如需 II C 类请注明。
- 如有特殊定做，请与工程技术人员联系。
- When placing an order, please indicate the complete model clearly;
- Please note if need II C group.
- In the event of specific customization, please contact engineering technical personnel.