

## BQJ51

系列防爆自藕减压电磁起动箱(II B)



### 适用范围 Application

- 适用于1区、2区危险场所。
- 适用于II A、II B类，温度组别为T1~ T6的爆炸性气体环境。
- Can be used in hazardous areas: Zone 1 and Zone 2.
- Can be used in explosive gas atmospheres of Category IIA and 、 B where the temperature classification is T1 ~ T6.

### 型号含义 Model implication



### 技术参数 Technical parameters

- |  |  |
|--|--|
| <ul style="list-style-type: none"> <li>■ 执行标准：GB 3836.1、GB 3836.2、IEC60079</li> <li>■ 防爆标志：Exd II BT6</li> <li>■ 额定电压：AC 380V</li> <li>■ 使用类别：AC-3、AC-4</li> <li>■ 防护等级：IP54</li> <li>■ 防腐等级：WF1</li> <li>■ 进线口螺纹：G1 1 / 2" ~ G3"</li> <li>■ 出线口螺纹：G1 1 / 2" ~ G3"</li> <li>■ 电缆外径：φ 14mm~ φ 55mm</li> </ul> | <ul style="list-style-type: none"> <li>■ Implementing the standard : GB 3836.1、GB 3836.2、IEC60079</li> <li>■ Explosion-proof mark: Exd II BT6</li> <li>■ Rated voltage: AC380V</li> <li>■ Usage: AC-3、AC-4</li> <li>■ Protection grade: IP54</li> <li>■ Corrosion-proof grade: WF1</li> <li>■ Inlet's thread : G1 1 / 2" ~ G3"</li> <li>■ Outlet's number: G1 1 / 2" ~ G3"</li> <li>■ Cable specification: φ 10mm~ φ 25mm</li> </ul> |
|--|--|

## BQJ51

series explosion-proof, auto-transformer and electromagnetic starter (II B)

产品型号 Type	电机功率(kW) Motor power	额定电流(A) Rated current	自耦变压器 容量(kVA) Varitran power	电流互感器比值 CT ratio
BQJ51-14	14	28	14	50/5
BQJ51-20	20	40	20	75/5
BQJ51-22	22	44	22	
BQJ51-28	28	58	28	
BQJ51-30	30	60	30	
BQJ51-40	40	80	40	100/5
BQJ51-45	45	90	45	150/5
BQJ51-55	55	110	55	
BQJ51-75	75	142	75	200/5
BQJ51-95	95	190	95	300/5
BQJ51-115	115	230	115	

### 产品特点 Features

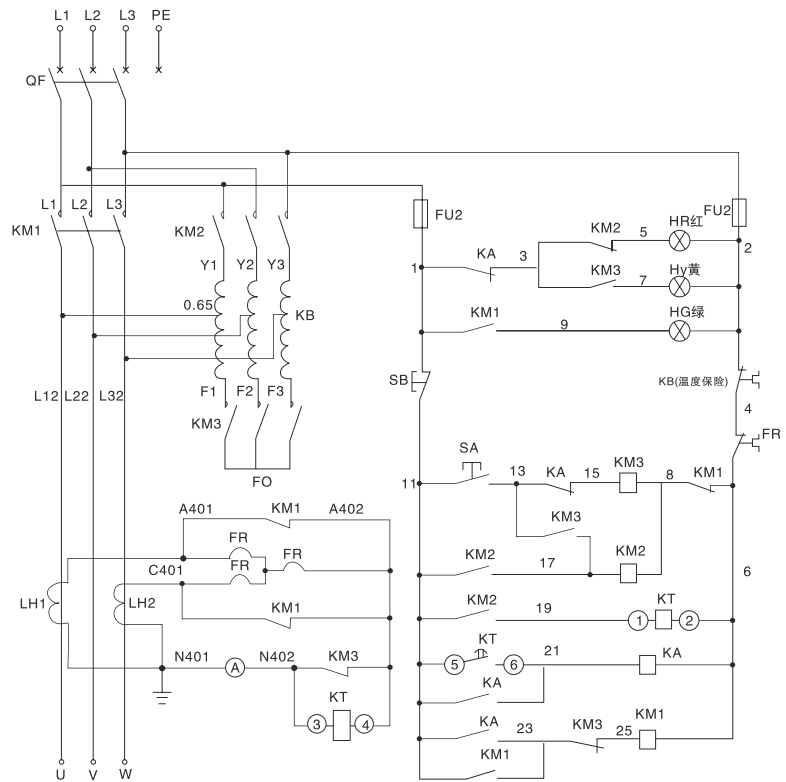
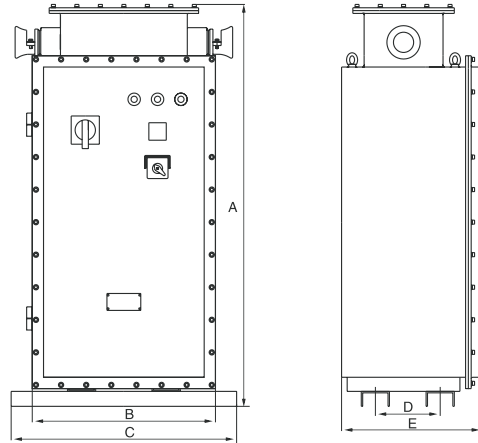
- 壳体采用钢板焊接而成，表面高压静电喷塑；
- 内装自藕变压器、交流接触器、时间继电器、热继电器、电流互感器、电流表、电压表、转换开关、指示灯等；
- 产品具有过载、短路、失压、断相保护等功能；
- 钢管或电缆布线。
- The shell is welded of steel plates, with high voltage static plastic-sprayed surface.
- Inside is arranged varitran, AC contactor, time relay, interposing relay, thermal relay, current transformet, selector, fuse, voltmeter, ammeter and indicator etc.
- With protections of overload, short-circuit, voltage-absent, phase-failure.
- Conduit wiring or cable wiring.

### 外形及安装举例 Outline and mounting example

型号 Type	A	B	C	D	E
BQJ51-14-55	1200	550	665	220	400
BQJ51-75-95	1420	650	800	300	500

## BQJ51

系列防爆自藕减压电磁起动箱(ⅡB)



电气原理图 Electrical principle chart