

BZA51 (LA5821) 系列防爆防腐控制按钮(ⅡB)



适用范围 Application

- 适用于1区、2区危险场所。
- 适用于ⅡA、ⅡB类，温度组别为T1~T6的爆炸性气体环境。
- Can be used in hazardous areas: Zone 1 and Zone 2.
- Can be used in explosive gas atmospheres of Category IIA and 、ⅡB where the temperature classification is T1 ~ T6.

型号含义 Model implication



技术参数 Technical parameters

- | | |
|---|--|
| ■ 执行标准：GB 3836.1、GB 3836.2、GB 3836.3、IEC60079 | ■ Implementing the standard : GB 3836.1、GB 3836.2、GB 3836.3、IEC60079 |
| ■ 额定电压：AC 380/220V | ■ Rated voltage: AC380/220V |
| ■ 额定电流：5A | ■ Rated current: 5A |
| ■ 防爆标志：Exed Ⅱ BT6 | ■ Explosion-proof mark: Exed Ⅱ BT6 |
| ■ 防护等级：IP54 | ■ Protection grade: IP54 |
| ■ 防腐等级：WF2 | ■ Corrosion-proof grade: WF2 |
| ■ 进线口螺纹：G3/4" | ■ Inlet thread: G3/4" |
| ■ 电缆外径：φ 9mm~ φ 14mm | ■ Cable's outer diameter: φ 9mm~ φ 14mm |

产品特点 Features

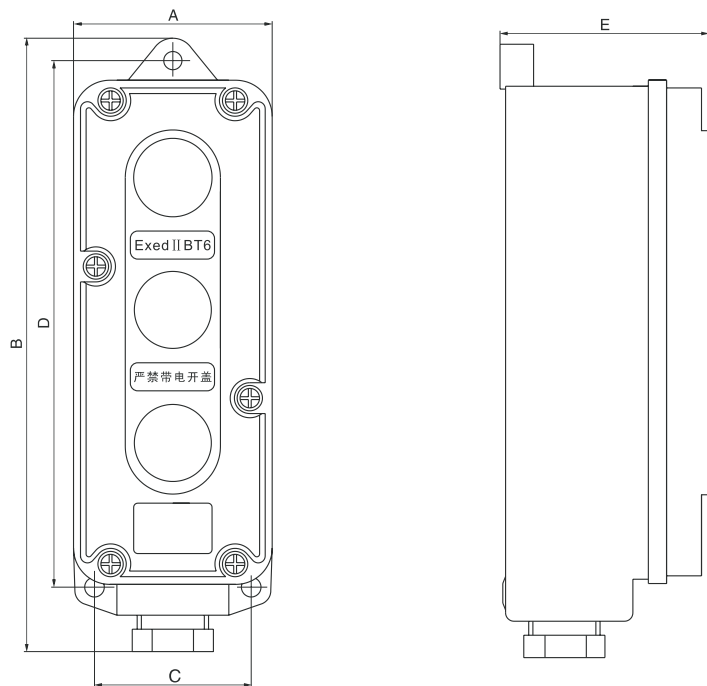
- 外壳采用阻燃ABS注塑而成，具有外形美观，耐腐蚀，耐冲击等优良性能；
- 产品为增安型结构，增安型外壳内装隔爆型防爆元件；
- 采用曲路密封结构，具有较好的防水，防尘能力；
- 隔爆型控制按钮具有结构紧凑，可靠性好，体积小，通断能力强，寿命长等优点。
- Adopts flame-proof ABS plastic formation, it has performance of water-proof, dust-proof, corrosion-proof, impulse-proof.

BZA51 (LA5821)

Type explosion-proof control button (II B)

- With safety-increased shell, inside is adopted flame-proof switch.
- Adopt curve-sealed structure, with the strong performances of waterproof and dust proof.
- Explosion suppression type control buttons have advantages of compact structure, favorable reliability, small volume, strong making and breaking capability, long service life and so on.

外形及安装举例 Outline and mounting example



型号 Type	A	B	C	D	E
BZA51-1	71	130	56	97	80
BZA51-2	71	173	56	142	75
BZA51-3	71	219	56	188	75