

BZZ51

系列隔爆型防爆转换开关(ⅡB、ⅡC)



适用范围 Application

- 适用于1区、2区危险场所。
- 适用于ⅡA、ⅡB、ⅡC类，温度组别为T1~T6的爆炸性气体环境。
- Can be used in hazardous areas: Zone 1 and Zone 2
- Can be used in explosive gas atmospheres of Category IIA、IIB and、IIC where the temperature classification is T1~T6.

型号含义 Model implication



技术参数 Technical parameters

- 执行标准: GB 3836.1、GB 3836.2、GB 3836.3、IEC60079
- Implementing the standard: GB 3836.1、GB 3836.2、GB 3836.3、IEC60079
- 额定电压: AC 380/220V
- Rated voltage: AC380/220V
- 防护等级: IP54、IP65
- Protection grade: IP54、IP65
- 防腐等级: WF1
- Corrosion-proof grade: WF1

型号 Type	额定电流(A) Rated current	防爆标志 Ex-mark	进线口螺纹(G") Inlet's thread	电缆外径(φ,mm) Cable's outer diameter
BZZ51-10/□	10	Exde Ⅱ BT5 Gb *Exde Ⅱ CT5	3/4	9~14
BZZ51-25/□	25			
BZZ51-60/□	60		1	11~18

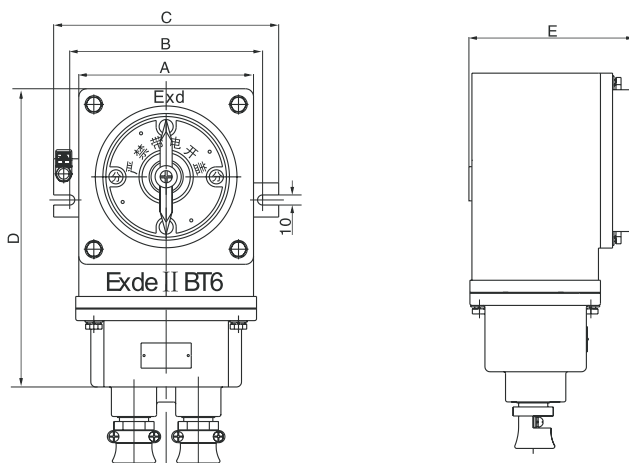
BZZ51

series explosion-proof, change-over switch (II B, II C)

产品特点 Features

- 壳体采用ZL102铝合金压铸成型，表面粉末静电喷塑；
 - 内装转换开关，用于60A以下的电路中，作为电源引入开关，并可控制电动机起动、变速、停止、换向等；
 - 钢管或电缆布线。
- The housing is die cast in aluminum alloy, with high voltage static plastic-sprayed surface.
 - Inside is mounted conversion switch, used as power introduced switch to control motor, adjust speed, convert direction in the system of not more than 60A.
 - Conduit wiring or cable wiring.

外形及安装举例 Outline and mounting example



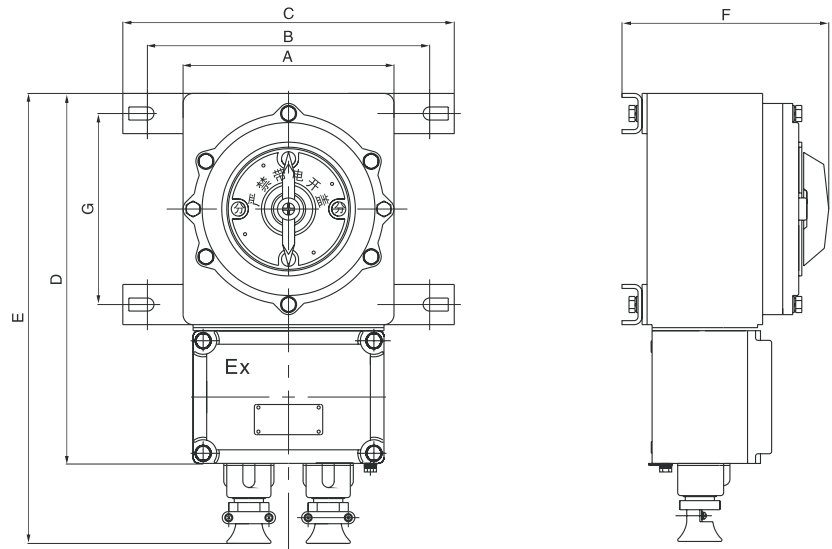
II B

产品型号 Type	A	B	C	D	E	备注 Remark
BZZ51-10/3	110	115	132	200	95	II B
BZZ51-25/3	143	160	182	245	140	
BZZ51-60/3	185	202	224	340	167	

www.peopleex.cn

BZZ51

系列隔爆型防爆转换开关(ⅡB、ⅡC)



ⅡC

产品型号 Type	A	B	C	D	E	G	备注 Remark
BZZ51-10/3	110	140	160	215	120		ⅡC
BZZ51-25/3	166	190	216	337	170	116	
BZZ51-60/3	210	280	330	408	205	190	