

FAG

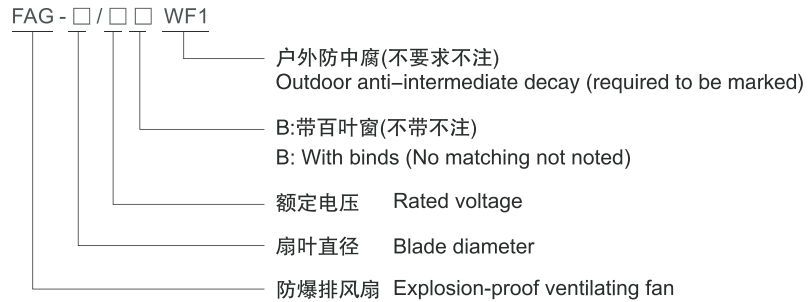
系列防爆壁式排风扇(II B)



适用范围 Application

- 适用于1区、2区危险场所。
- 适用于II A、II B类，温度组别为T1~ T4的爆炸性气体环境。
- Can be used in hazardous areas: Zone 1 and Zone 2
- Can be used in explosive gas atmospheres of Category II A and II B where the temperature classification is T1 ~ T4.

型号含义 Model implication



主要技术参数 Main technical parameters

- 执行标准: GB 3836.1、GB 3836.2、IEC60079
- 防爆标志: Exd II BT4
- 主轴转速: 1450r/min
- 进线口螺纹: G3/4"
- 电缆外径: Φ 9mm ~ Φ 14mm
- Implementing the standard : GB 3836.1、GB 3836.2、IEC60079
- Ex-mark: Exd II BT4
- Rotation speed: 1450r/min
- Inlet's thread: G3/4"
- Cable's outer diameter: ϕ 9mm~ ϕ 14mm

产品型号 Type	额定电压(V) Rated voltage	输入功率(kW) In-put power	风量(m ³ /h) Wind flow	叶轮直径(mm) Impeller diameter
FAG-300	220/380	0.12	1020	300
FAG-400		0.18	2400	400
FAG-500		0.25	4620	500
FAG-600		0.37	7980	600

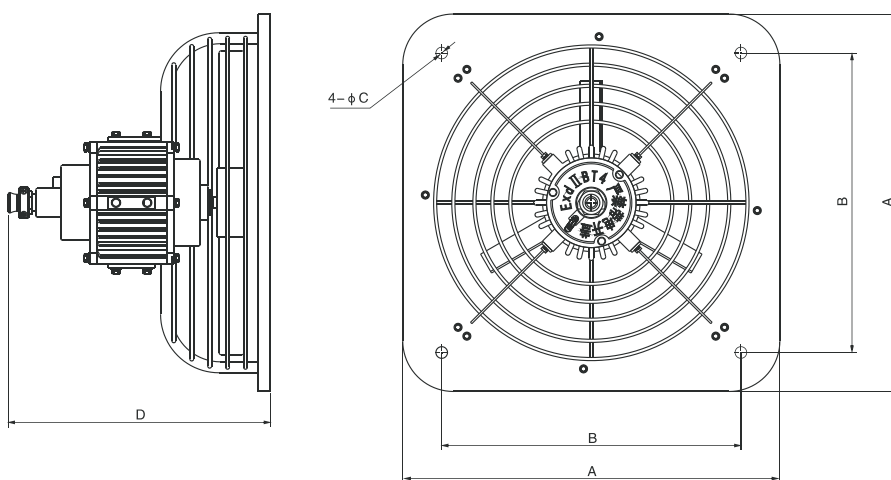
FAG

Type explosion-proof wall type ventilating fan (II B)

产品特点 Features

- 防爆轴流风机由防爆电机、叶片、面板等部分组成；
- 防爆轴流风机面板采用优质钢板焊接成型，叶片由铝合金压铸成型，表面高压静电喷塑；
- 外形美观、采用一体式安装，安全可靠，且带有减振装置，运行噪音低；
- 钢管布线。
- Explosion-proof ceiling fan consists of Ex-motor, blades and cylinder etc.
- Air duct of explosion-proof axial flow fan is formed by welding of quality steel plate, and the fan blades are cast in aluminum alloy and with surface sprayed.
- Aesthetic appearance, integrate ong-body assemble frame, safe and secure, with damping device and low-operacting noise.
- Conduit wiring .

外形及安装举例 Outline and mounting example



尺寸 Size	A	B	C	D
型号 Type				
FAG-300	340	285	16	230
FAG-400	482	385	16	235
FAG-500	585	466	16	265
FAG-600	650	531	16	270