

## BHC

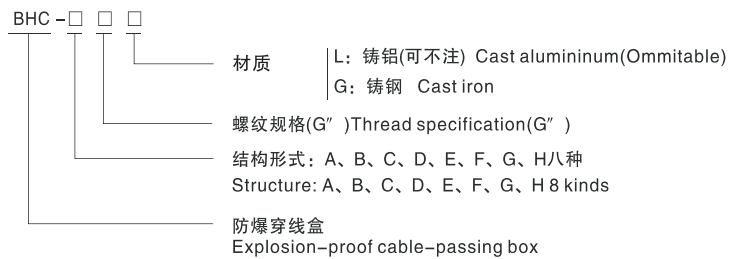
系列防爆穿线盒(e)



### 适用范围 Application

- 适用于1区、2区危险场所。
- 适用于II A、II B、II C类爆炸性气体环境。
- Can be used in hazardous areas: Zone 1 and Zone 2.
- Can be used in explosive gas atmospheres of Category IIA、IIB and IIC.

### 型号含义 Model implication



### 产品特点 Features

- 外壳采用ZL102铸铝合金或铸钢，表面高压静电喷塑。
- 结构形式多样、便于安装。
- The housing is die cast in aluminum alloy, with high voltage static plastic-sprayed surface.
- Various structures, ease to install.

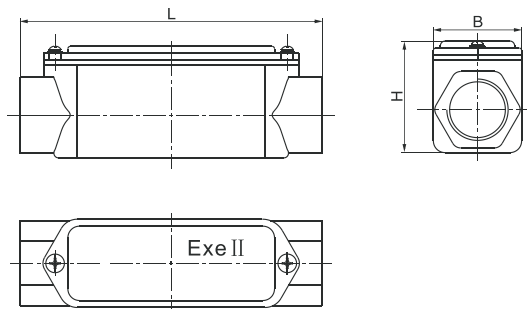
### 主要技术参数 Main technical parameters

- 执行标准: GB 3836.1、GB 3836.3、IEC60079
- 防爆标志: Exe II
- 防护等级: IP44
- 防腐等级: WF1
- Implementing the standard : GB 3836.1、GB 3836.3、IEC60079
- Ex-mark: Exe II
- Protection grade: IP44
- Explosion-proof class: WF1

## BHC

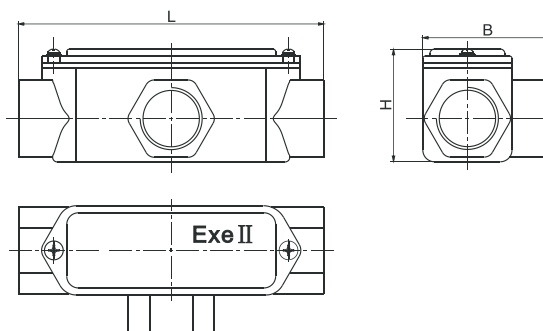
Type explosion-proof cable-passing box (e)

A型 Type



规格 Specification	型号 Type		管子内径 Pipe's inside diameter	外形尺寸(mm) Outline dimension		
	铸铝 CastAl	铸钢 Castiron		L	B	H
1/2 "	BHC-A-G1/2L	BHC-A-G1/2G	15	110	33	44
3/4 "	BHC-A-G3/4L	BHC-A-G3/4G	20	130	38	48
1 "	BHC-A-G1L	BHC-A-G1G	25	155	45	54
1 1/4 "	BHC-A-G11/4L	BHC-A-G11/4G	32	188	58	68
1 1/2 "	BHC-A-G11/2L	BHC-A-G11/2G	40	200	60	78
2 "	BHC-A-G2L	BHC-A-G2G	50	248	76	96
2 1/2 "	BHC-A-G21/2L	BHC-A-G21/2G	70	260	94	116
3 "	BHC-A-G3L	BHC-A-G3G	80	260	108	128
4 "	BHC-A-G4L	BHC-A-G4G	100	300	120	135

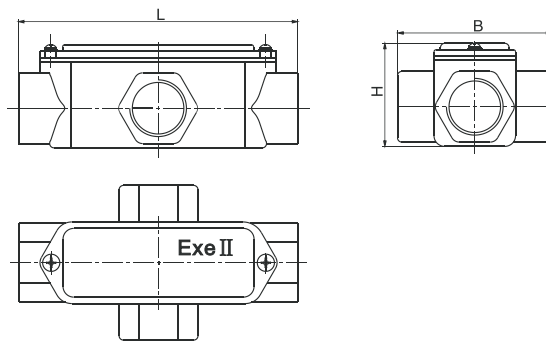
B型 Type



## BHC 系列防爆穿线盒(e)

规格 Specification	型号 Type		管子内径 Pipe's inside diameter	外形尺寸(mm) Outline dimension		
	铸铝 CastA1	铸钢 Castiron		L	B	H
1/2 "	BHC-B-G1/2L	BHC-B-G1/2G	15	110	50	44
3/4 "	BHC-B-G3/4L	BHC-B-G3/4G	20	130	55	48
1 "	BHC-B-G1L	BHC-B-G1G	25	155	67	54
1 1/4 "	BHC-B-G11/4L	BHC-B-G11/4G	32	188	78	68
1 1/2 "	BHC-B-G11/2L	BHC-B-G11/2G	40	200	80	78
2 "	BHC-B-G2L	BHC-B-G2G	50	248	96	96
2 1/2 "	BHC-B-G21/2L	BHC-B-G21/2G	70	260	114	116
3 "	BHC-B-G3L	BHC-B-G3G	80	260	131	128
4 "	BHC-B-G4L	BHC-B-G4G	100	300	145	135

C型 Type

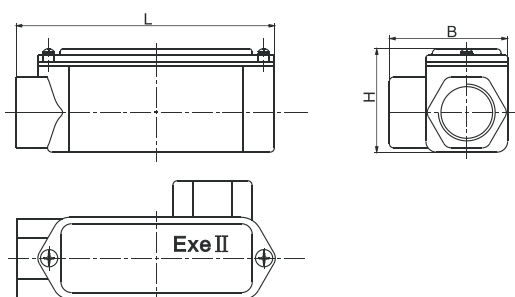


规格 Specification	型号 Type		管子内径 Pipe's inside diameter	外形尺寸(mm) Outline dimension		
	铸铝 CastA1	铸钢 Castiron		L	B	H
1/2 "	BHC-C-G1/2L	BHC-C-G1/2G	15	110	67	44
3/4 "	BHC-C-G3/4L	BHC-C-G3/4G	20	130	72	48
1 "	BHC-C-G1L	BHC-C-G1G	25	155	89	54
1 1/4 "	BHC-C-G11/4L	BHC-C-G11/4G	32	188	98	68
1 1/2 "	BHC-C-G11/2L	BHC-C-G11/2G	40	200	100	78
2 "	BHC-C-G2L	BHC-C-G2G	50	248	116	96
2 1/2 "	BHC-C-G21/2L	BHC-C-G21/2G	70	260	134	116
3 "	BHC-C-G3L	BHC-C-G3G	80	260	154	128
4 "	BHC-C-G4L	BHC-C-G4G	100	300	180	135

## BHC

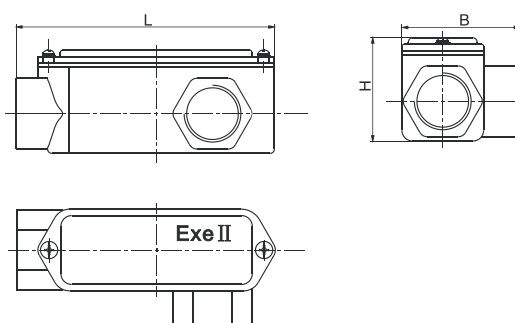
Type explosion-proof cable-passing box (e)

D型 Type



规格 Specification	型号 Type		管子内径 Pipe's inside diameter	外形尺寸(mm) Outline dimension		
	铸铝 CastA1	铸钢 Castiron		L	B	H
1/2 "	BHC-D-G1/2L	BHC-D-G1/2G	15	101	50	44
3/4 "	BHC-D-G3/4L	BHC-D-G3/4G	20	121	55	48
1 "	BHC-D-G1L	BHC-D-G1G	25	141	67	54
1 1/4 "	BHC-D-G11/4L	BHC-D-G11/4G	32	170	78	68
1 1/2 "	BHC-D-G11/2L	BHC-D-G11/2G	40	182	80	78
2 "	BHC-D-G2L	BHC-D-G2G	50	228	96	96
2 1/2 "	BHC-D-G21/2L	BHC-D-G21/2G	70	240	114	116
3 "	BHC-D-G3L	BHC-D-G3G	80	243	131	128
4 "	BHC-D-G4L	BHC-D-G4G	100	275	145	135

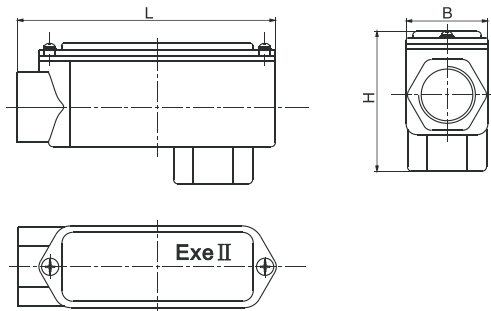
E型 Type



## BHC 系列防爆穿线盒(e)

规格 Specification	型号 Type		管子内径 Pipe's inside diameter	外形尺寸(mm) Outline dimension		
	铸铝 CastA1	铸钢 Castiron		L	B	H
1/2 "	BHC-E-G1/2L	BHC-E-G1/2G	15	101	50	44
3/4 "	BHC-E-G3/4L	BHC-E-G3/4G	20	121	55	48
1 "	BHC-E-G1L	BHC-E-G1G	25	141	67	54
1 1/4 "	BHC-E-G11/4L	BHC-E-G11/4G	32	170	78	68
1 1/2 "	BHC-E-G11/2L	BHC-E-G11/2G	40	182	80	78
2 "	BHC-E-G2L	BHC-E-G2G	50	228	96	96
2 1/2 "	BHC-E-G21/2L	BHC-E-G21/2G	70	240	114	116
3 "	BHC-E-G3L	BHC-E-G3G	80	243	131	128
4 "	BHC-E-G4L	BHC-E-G4G	100	275	145	135

F型 Type

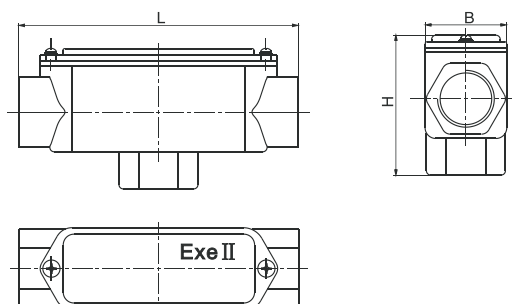


规格 Specification	型号 Type		管子内径 Pipe's inside diameter	外形尺寸(mm) Outline dimension		
	铸铝 CastA1	铸钢 Castiron		L	B	H
1/2 "	BHC-F-G1/2L	BHC-F-G1/2G	15	101	33	59
3/4 "	BHC-F-G3/4L	BHC-F-G3/4G	20	121	38	65
1 "	BHC-F-G1L	BHC-F-G1G	25	141	45	77
1 1/4 "	BHC-F-G11/4L	BHC-F-G11/4G	32	170	58	88
1 1/2 "	BHC-F-G11/2L	BHC-F-G11/2G	40	182	60	98
2 "	BHC-F-G2L	BHC-F-G2G	50	228	76	116
2 1/2 "	BHC-F-G21/2L	BHC-F-G21/2G	70	240	94	136
3 "	BHC-F-G3L	BHC-F-G3G	80	243	108	151
4 "	BHC-F-G4L	BHC-F-G4G	100	275	120	160

## BHC

Type explosion-proof cable-passing box (e)

G型 Type

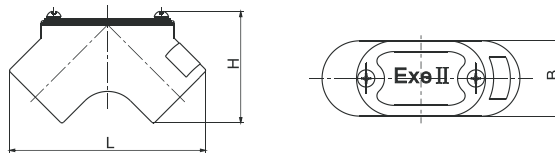


规格 Specification	型号 Type		管子内径 Pipe's inside diameter	外形尺寸(mm) Outline dimension		
	铸铝 CastA1	铸钢 Castiron		L	B	H
1/2 "	BHC-G-G1/2L	BHC-G-G1/2G	15	110	33	59
3/4 "	BHC-G-G3/4L	BHC-G-G3/4G	20	130	38	65
1 "	BHC-G-G1L	BHC-G-G1G	25	155	45	77
1 1/4 "	BHC-G-G11/4L	BHC-G-G11/4G	32	188	58	88
1 1/2 "	BHC-G-G11/2L	BHC-G-G11/2G	40	200	60	98
2 "	BHC-G-G2L	BHC-G-G2G	50	248	76	116
2 1/2 "	BHC-G-G21/2L	BHC-G-G21/2G	70	260	94	136
3 "	BHC-G-G3L	BHC-G-G3G	80	260	108	151
4 "	BHC-G-G4L	BHC-G-G4G	100	300	120	160

## BHC

系列防爆穿线盒(e)

H型 Type



规格 Specification	型号 Type		管子内径 Pipe's inside diameter	外形尺寸(mm) Outline dimension		
	铸铝 CastA1	铸钢 Castiron		L	B	H
1/2 "	BHC-H-G1/2L	BHC-H-G1/2G	15	120	30	58
3/4 "	BHC-H-G3/4L	BHC-H-G3/4G	20	135	35	73
1 "	BHC-H-G1L	BHC-H-G1G	25	160	42	83
1 1/4 "	BHC-H-G11/4L	BHC-H-G11/4G	32	170	50	100
1 1/2 "	BHC-H-G11/2L	BHC-H-G11/2G	40	180	60	108
2 "	BHC-H-G2L	BHC-H-G2G	50	228	72	122
2 1/2 "	BHC-H-G21/2L	BHC-H-G21/2G	70	246	86	136
3 "	BHC-H-G3L	BHC-H-G3G	80	282	102	139
4 "	BHC-H-G4L	BHC-H-G4G	100	300	120	142