

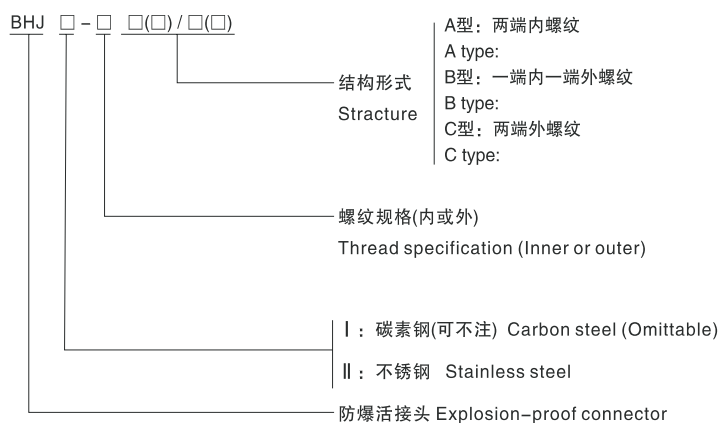
## BHJ 系列防爆活接头(II C)



### 适用范围 Application

- 适用于1区、2区危险场所。
- 适用于II A、II B、II C类爆炸性气体环境。
- Can be used in hazardous areas: Zone 1 and Zone 2.
- Can be used in explosive gas atmospheres of Category IIA、IIB and IIC.

### 型号含义 Model implication



### 产品特点 Features

- 采用优质碳素钢或不锈钢制成；
- 螺纹规格可根据用户要求，如NPT螺纹，英制公制等各种非标螺纹。
- The product is made of carbon steel adopting galvanized surface or stainless steel.
- Thread can be specially made, such as thread NPT, metric thread ect.

### 主要技术参数 Main technical parameters

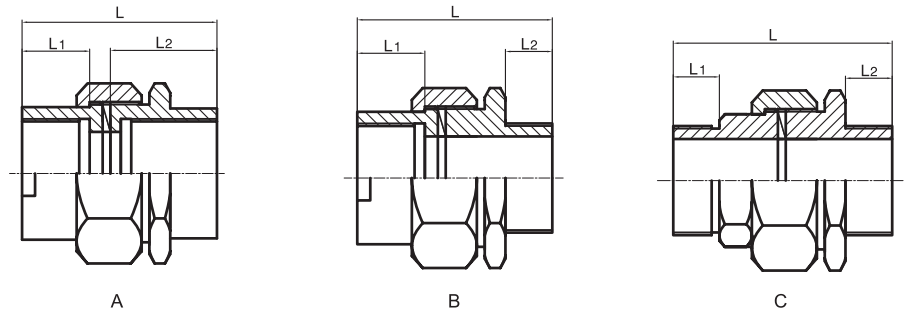
- 执行标准: GB 3836.1、GB 3836.2、IEC60079
- 防爆标志: Exd II C GB
- Implementing the standard : GB 3836.1、GB 3836.2、IEC60079
- Ex-mark: Exd II C GB

## BHJ

Type explosion-proof active connector ( IIC)

公称直径 Nominal diameter	外形尺寸(mm) Outline dimension									电缆外径(φ, mm) Cable's outside diameter	
	D	L <sub>A</sub>	L <sub>B</sub>	L <sub>C</sub>	L <sub>1A</sub>	L <sub>1B</sub>	L <sub>1C</sub>	L <sub>2A</sub>	L <sub>2B</sub>		L <sub>2C</sub>
G1/2"	38	40	55	64	16	16	16	16	16	16	6~10
G3/4"	46	40	56	65	16	16	16	16	16	16	9~14
G1"	50	46	66	76	20	20	20	20	22	22	11~18
G1 1/4"	60	46	66	76	20	20	20	20	22	22	14~25
G1 1/2"	73	46	66	76	20	20	20	20	22	22	17~28
G2"	83	52	75	86	22	22	22	22	24	24	25~38
G2 1/2"	95	52	75	86	22	22	22	22	24	24	32~45
G3"	115	56	79	92	24	24	24	24	24	24	35~55
G4"	140	56	89	94	24	24	24	24	24	24	46~66

### 外形及安装举例 Outline and mounting example



### 订货须知 Notice if ordering

标注螺纹规格时应注明内外螺纹，如BHJ II -BG3/4"(内)/G1/2"(外)，即一端为G3/4内螺纹，另一端为G1/2外螺纹的不锈钢材质活接头。

Please note inner and outer thread specification when noting the thread. For example: BHJ II -BG3/4" (inner)/G1/2" (outer) means: it's length is 700, one terminal is inner thread G3/4", another terminal is outer thread G1" of stainless-steel active connector..