

FAY

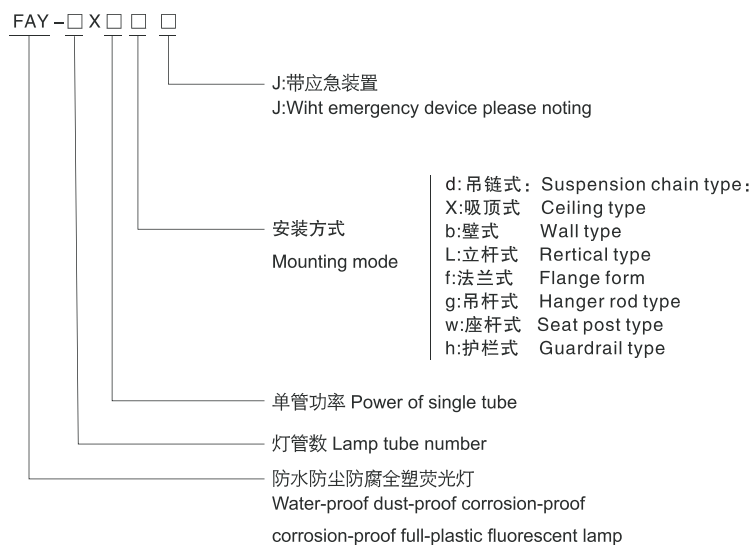
系列防水防尘防腐全塑荧光灯



适用范围 Application

- 环境温度-25° C至+55° C;
- 安装高度不超过海拔2000m;
- 适用于强酸、强碱、盐、氨、氯离子腐蚀、多水、多尘、潮湿等环境;
- 广泛应用于石油、化工、食品、制药、军工等工厂企业。主要用于厂房、仓库照明，尤其是粉尘大的车间照明;
- 用户电源电压波动范围满足国家标准要求;
- Ambient temperature is -25° C to +55° C.
- The height of installment can't over 2000 meters above sea level.
- Be applicable to strong acid, strong base, salt, ammonia, chloridion corrosion, wateriness, dustiness, moisture and other environments;
- they are widely used in the lines of petroleum, chemistry, food medicine, war industry and so on, they are mainly used in the illumination of the factories, especially the illumination of the workshops with strong dust.
- The user's power voltage fluctuant range must accord to the national standard.

型号含义 Model implication



FAY

Type water-proof dust-proof corrosion-proof full plastic fluorescent lamp

产品特点 Features

- 灯具采用灰色抗撞聚碳酸酯塑料，具有较强的抗冲击能力，透明罩采用聚碳酸酯或聚丙烯，具有较高的透光性。壳体材料可按用户要求增加阻燃和抗静电功能；
- 采用扣合卡式锁合，开闭方便，便于维修；
- 镇流器为高效节能型镇流器，功率因数达0.9；
- 按用户要求可配装应急装置，作为应急事故照明两用，应急时间不少于60分钟；
- 本产品抗弱酸、强碱、盐、氨、氯离子腐蚀，防腐等级为WF2，防护等级为IP65；
- 所有外露紧固件均采用不锈钢，密封件采用硅橡胶、耐油、耐酸、耐碱、耐高温；
- 安装方式多样，电缆布线。

■ The cases adopt grey anti-hit plastic with stronger anti-impact ability polycarbonate. And polypropylene, which have stronger transparency the shell material can increase the functions of anti-burning and anti-static according to customer's demand.

■ They adopt button-way locking, which are easy to open, close and is convenient for maintenance.

■ Ballasting use electrical ballast with high efficiency and economic energy, the power factor reaches 0.9.

■ According to the user's demand, we can install the emergency device to use in emergency accidents for illuminating, the emergency time can be no less than 60 minutes.

■ Our products can withstand the corrosion of weak acid strong acid, salt, ammonia, chlorine, and have the function of water-proof, dust-proof. Anti-corrosion grade is WF2, the protection grade reaches IP65.

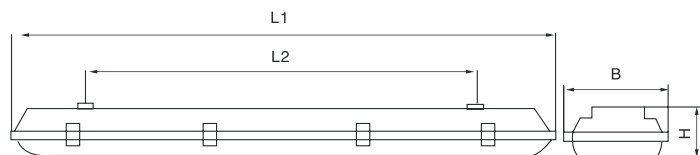
■ All the leakage fixers adopt stainless steel, the sealers adopt silicon rubber, which can withstand oil, acid, alkali and high temperature.

■ Versatile installation methods, cable wiring.

技术参数 Technical parameters

光源种类 Light source species	额定电压(V) Rated voltage	额定功率(W) Rated power	防护等级 Protection grade	防腐等级 Corrosion-proof grade	电缆规格 (Φ, mm) Cable's spec
双脚普通荧光灯管 Two-pin ordinary fluorescent lamp tube	AC220V	1 × 20 (18)	IP65	WF2	8~12
		1 × 40 (36)			
		2 × 20 (18)			
		2 × 40 (36)			

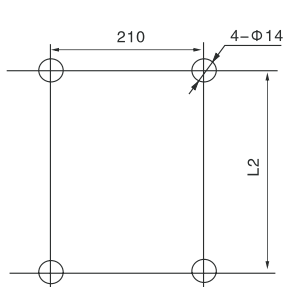
外形及安装举例 Outline and mounting example



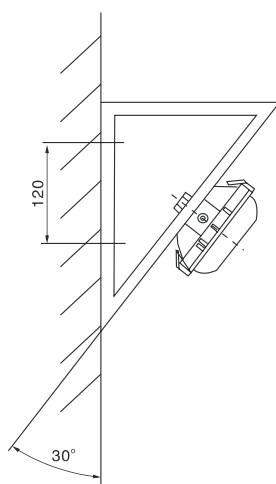
FAY

系列防水防尘防腐全塑荧光灯

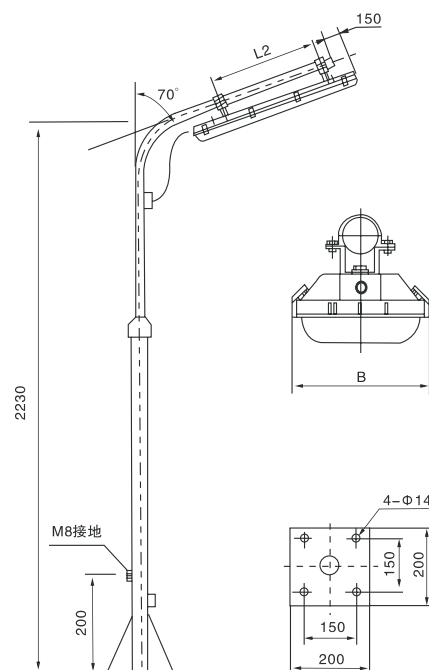
型号 TYPE	L1	L2	H	B
FAY-1 × 20 (18)	650	400	120	130
FAY-2 × 20 (18)	650	400	120	183
FAY-1 × 40 (18)	1266	720	120	130
FAY-2 × 40 (18)	1266	800	120	183



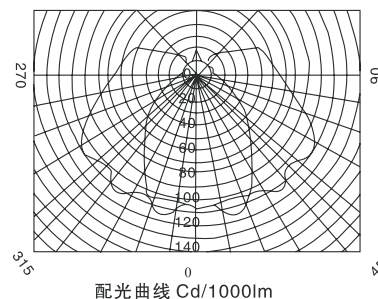
X: 吸顶式 Ceiling type



壁式 Bracket(b)



L: 立杆式 Pendant type



配光曲线 Cd/1000lm

www. peopleex. cn