

BCX-DIP

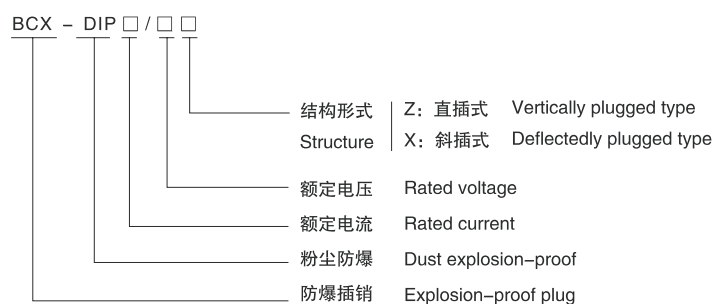
系列粉尘防爆插销(DIPA 20)



适用范围 Application

- 适用于20区、21区、22区危险场所。
- 适用于可燃性粉尘环境。
- Can be used in hazardous areas: Zone 20、Zone 21 and Zone 22.
- Can be used in explosive or flammable dust atmosphere.

型号含义 Model implication



主要技术参数 Main technical parameters

- | | |
|----------------------|--|
| ■ 执行标准: GB 12476.1 | ■ Implementing the standard : GB 12476.1 |
| ■ 防爆标志: DIPA20TA, T6 | ■ Explosion-proof mark: DIPA20TA, T6 |
| ■ 额定电压: AC 380V/220V | ■ Rated voltage: AC380V/220V |
| ■ 防护等级: IP65 | ■ Protection grade: IP65 |
| ■ 防腐等级: WF1 | ■ Corrosion-proof grade: Wf1 |

型号 Type	额定电流(A) Rated current	极数 Poles	使用类别 Using sort	进线口螺纹(G') Inlet's thread	电缆外径(φ,mm) Cable's outside diameter
BCX-DIP16	16	IP+N	AC-1	3 / 4	9~14
BCX-DIP32	32	3P+N	AC-3	1 1 / 4	14~25

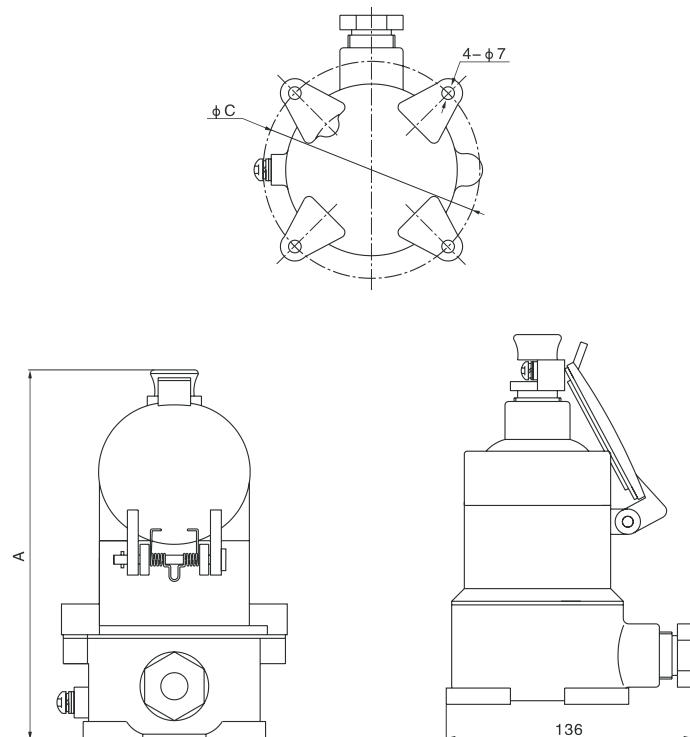
BCX-DIP

Type dust explosion-proof, corrosion-proof plug(DIP)

产品特点 Features

- 壳体采用ZL102铝合金铸造成型，表面高压静电喷塑；
- 插销与开关制成联锁结构，只有开关断开后方能拔出插头；
- 钢管或电缆布线。
- The housing is die cast in aluminum alloy, with high voltage static plastic-sprayed surface.
- The plug together with switch is constructed to form interlocks. Only if switch is off, the plug can be drawn out.
- Conduit wiring or cable wiring.

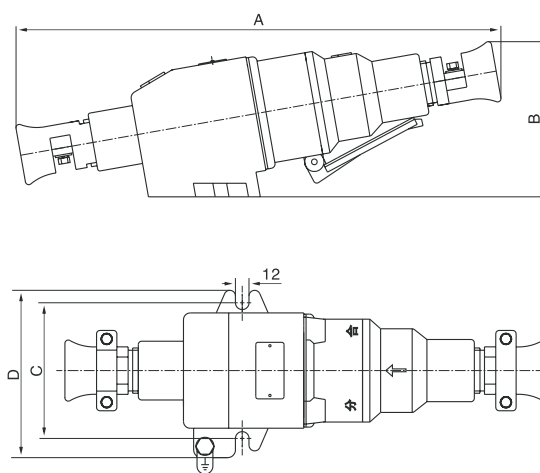
外形及安装举例 Outline and mounting example



Z: 直插式 Vertically plugged type

BCX-DIP

系列粉尘防爆插销(DIPA 20)



X: 斜插式 Deflectedly plugged type

型号 Type	尺寸 Size	A	B	C	D
BCX-DIP16/□Z		210	150	115	
BCX-DIP16/□X		225	135	110	130
BCX-DIP32/□Z		300	190	125	
BCX-DIP32/□X		368	240	124	146