

BZA8030

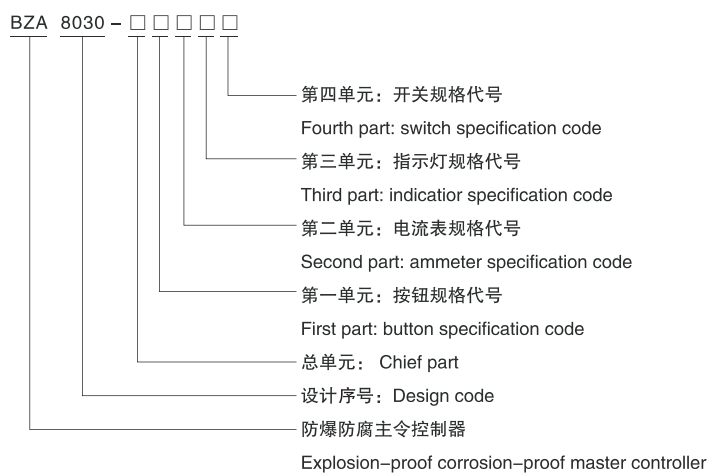
系列防爆防腐主令控制器(II C)



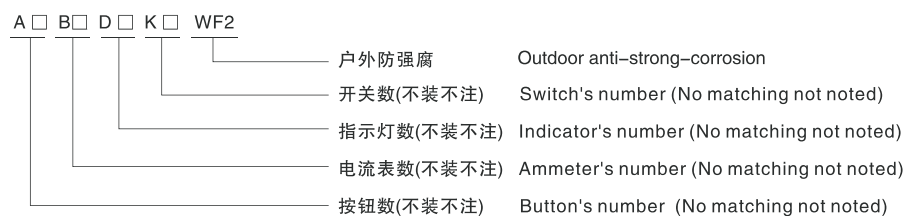
适用范围 Application

- 适用于1区、2区危险场所。
- 适用于II A、II B、II C类，温度组别为T1~ T6的爆炸性气体环境。
- Can be used in hazardous areas: Zone 1 and Zone 2.
- Can be used in explosive gas atmospheres of Category IIA、IIB and II C where the temperature classification is T1 ~ T6.

型号含义 Model implication



总单元含义 Application of chief part



注：本产品安装方式为挂式，开关配用BK8030控制开关，开关代号见P11页()

BZA8030

Type explosion-proof corrosion-proof master controller (II C)

技术参数 Technical parameters

- | | |
|---|--|
| ■ 执行标准：GB 3836.1、GB 3836.2、GB 3836.3、IEC60079 | ■ Implementing the standard : GB 3836.1、GB 3836.2、GB 3836.3、IEC60079 |
| ■ 防爆标志：Exed II CT6 Gb | ■ Explosion-proof mark: Exed II CT6 Gb |
| ■ 使用类别：AC-3、AC-4 | ■ Using type: AC-3、AC-4 |
| ■ 额定电压：AC 380/220V | ■ Rated voltage: AC 380/220V |
| ■ 额定电流：6A | ■ Rated current: 6A |
| ■ 防护等级：IP65 | ■ Protection grade: IP65 |
| ■ 防腐等级：WF2 | ■ Explosion-proof class: WF2 |
| ■ 进线口螺纹：G3/4" | ■ Inlet's thread: G3/4" |
| ■ 电缆外径：φ 9mm~ φ 14mm | ■ Cable spec : φ 9mm~ φ 14mm |

产品特点 Features

- 增安型外壳，内装元件为防爆元件；
- 外壳采用玻璃纤维增强不饱和聚酯树脂压制而成，具有外形美观，耐腐蚀，抗静电，耐冲击及热稳定性好等优良性能；
- 隔爆型控制开关具有结构紧凑，可靠性好，体积小，通断能力强，寿命长，并有多种功能供用户选配；防爆按钮采用超声波封装工艺，保证了可靠的结合强度，按钮的功能可以两单元自由组合，防爆指示灯采用特殊的设计，交流220 V/380 V通用；
- 壳体和盖的结合面采用曲路密封结构，具有较好的防水、防尘能力；
- 电缆布线（钢管布线请说明）。

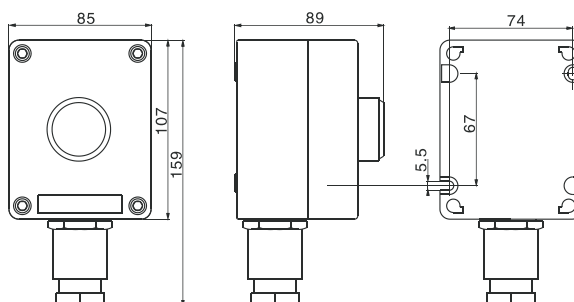
- Safety reinforced shell, inside are mounted Explosion-separate type elements.
- The shell mould-shaped by glass fiber reinforced and unsaturated polyester resin, has elegant shape excellent performance and functions of corrosion-proofing, electro static-insisting, impact-withstanding and perfect thermal reliability. Etc.
- The explosion -separate type, control switch with compact structure, steady property. Small volume, high capacity, and long-term life has several functions to be selected freely. Explosion-proof indicator by special design, using within the AC voltage scope of 220V/380V generally.
- The joint of shell and cover is the form of devious-labyrinthian structure, water-proof, dust-proof.
- Cable wiring (In the event steel tube wiring, please state).

BZA8030

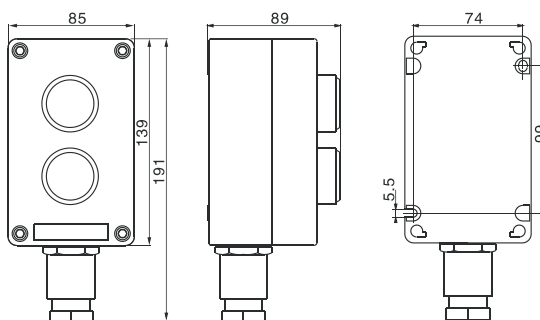
系列防爆防腐主令控制器(II C)

外形及安装举例 Outline and mounting example

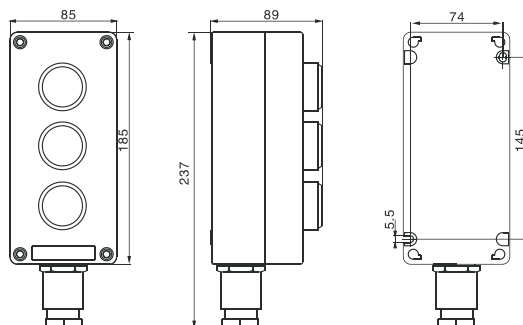
一单元壳体外形及安装尺寸 Outline and installing size of first unit hull



二单元壳体外形及安装尺寸 Outline and installing size of second unit hull



三单元壳体外形及安装尺寸 Outline and installing size of third unit hull

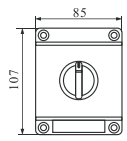
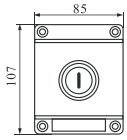
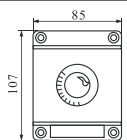
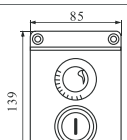
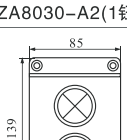
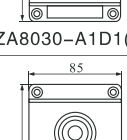


BZA8030

系列防爆防腐主令控制器(II C)



产品方案布置举例 Arranging of product project

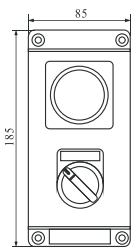
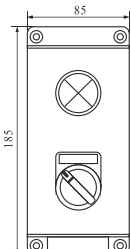
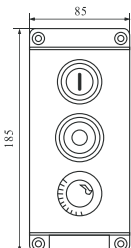
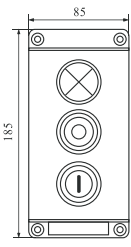
方案外形图 Outline of project	内装元件 Inner element	型号 Type
 <p>BZA8030-K1(1万能)</p>	一开关(BK8030系列) 请指定: 开关代号 One switch (BK series) Please specify: switch code (it to be seen page C178)	BZA8030-K1 K1-□ “□”为元件代号(详见C178), 订货时请注明 “□”is element code (see page C178),please noted when ordering
 <p>BZA8030-A1(1钮)</p>	一钮(红、绿) 请指定:按钮颜色。 One button (rde, green) Please specify: button's color	BZA8030-A1 “□”为元件代号(详见C178), 订货时请注明 “□”is element code (see page C178),please noted when ordering
 <p>BZA8030-A1(1锁钮)</p>	一钮(蘑菇头自持式) One button (mushroom self-kept)	BZA8030-A1 B1-□ “□”为元件代号(详见C178), 订货时请注明 “□”is element code (see page C178),please noted when ordering
 <p>BZA8030-A2(1钮1锁钮)</p>	两钮(一起动一蘑菇头自持式) Two buttons (one starting one mushroom self-kept)	BZA8030-A2 B2-1□/1□ “□”为元件代号(详见C178), 订货时请注明 “□”is element code (see page C178),please noted when ordering
 <p>BZA8030-A1D1(1钮1灯)</p>	一钮一灯 请指定: 指示灯的颜色、 电压。 One button, one lamp Please specify: indicator's color and voltage.	BZA8030-A1D1 B1-□ D1-□□ “□”为元件代号(详见C178), 订货时请注明 “□”is element code (see page C178),please noted when ordering
 <p>BZA8030-A2(2钮)</p>	两钮 Two buttons	BZA8030-A2 B2-1□/1□ “□”为元件代号(详见C178), 订货时请注明 “□”is element code (see page C178),please noted when ordering

BZA8030

Type explosion-proof corrosion-proof master controller (II C)

产品方案布置举例 Arranging of product project



方案外形图 Outline of project	内装元件 Inner element	型号 Type
 <p>BZA8030-B1K1(1表1开关)</p>	<p>一开关一表开关为二极开关表为48型表请指定:表量程, 开关代号(详见C178) One switch, one meter The switch is double-pole The meter is 48 type Please specify: meter's measuring range, switch code (it to be seen page 139)</p>	<p>BZA8030-B1K1 B1- □ / □ K1-1□ “□”为元件代号(C178), 订货时请注明 “□” is element code (see page C178), please noted when ordering</p>
 <p>BZA8030-D1K1(1灯 1开关)</p>	<p>一开关一灯 请指定:灯的颜色和电压, 开关代号(详见C178) One switch, one meter please specify: indicator's color and voltage, switch code (it to be seen page C178)</p>	<p>BZA8030-D1K1 D1- □ / □ □ K1-1□ “□”为元件代号(详见C178), 订货时请注明 “□” is element code (see page C178), please noted when ordering</p>
 <p>BZA8030-A3(2钮1锁钮)</p>	<p>三钮 其中一钮为蘑菇头自持式。 Three buttons One is mushroom self-kept button</p>	<p>BZA8030-A3 A3- 1 □ / 1 □ / 1 □ “□”为元件代号(详见C178), 订货时请注明 “□” is element code (see page C178), please noted when ordering</p>
 <p>BZA8030-A2D1(2钮1灯)</p>	<p>二钮一灯 请指定:指示灯的颜色和电压。 Two buttons, one lamp Please specify: indicator's color and voltage.</p>	<p>BZA8030-A2D1 A2-1 □ / 1 □ D1- □ □ “□”为元件代号(详见C178), 订货时请注明 “□” is element code (see page C178), please noted when ordering</p>