

BZC8030

系列防爆防腐操作柱(II C)



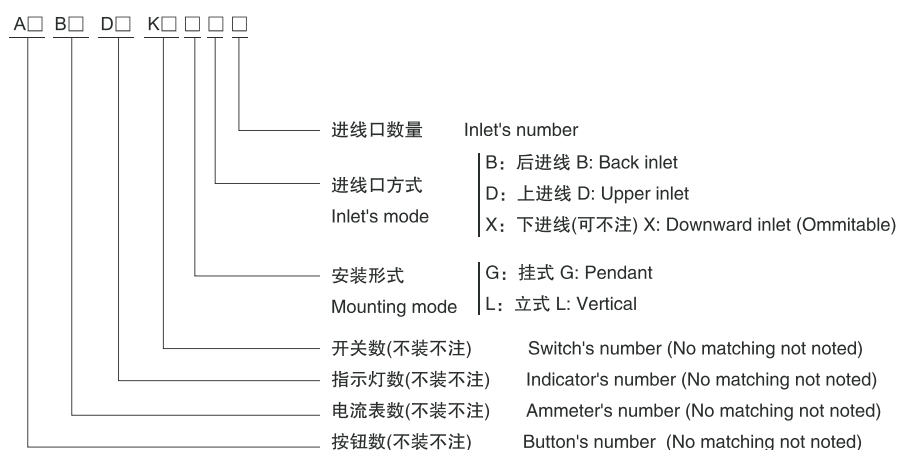
适用范围 Application

- 适用于1区、2区危险场所。
- 适用于II A、II B、II C类，温度组别为T1~ T6的爆炸性气体环境。
- Can be used in hazardous areas: Zone 1 and Zone 2
- Can be used in explosive gas atmospheres of Category IIA、IIB and IIC where the temperature classification is T1 ~ T6.

型号含义 Model implication



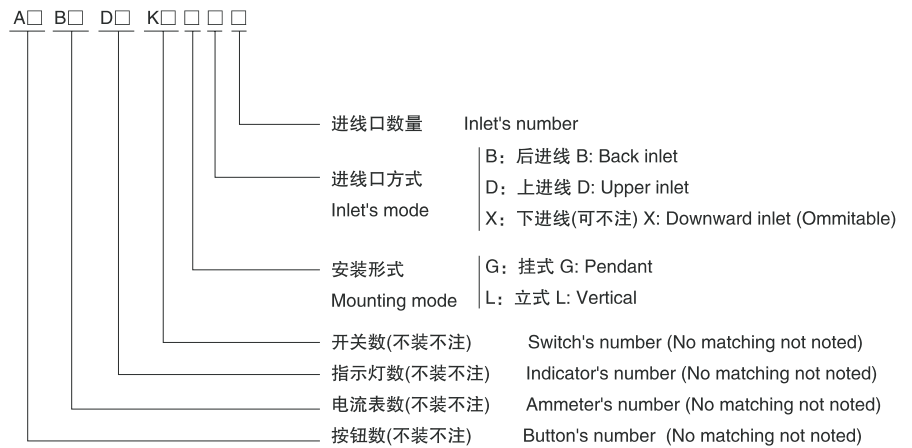
总单元含义 Application of chief part



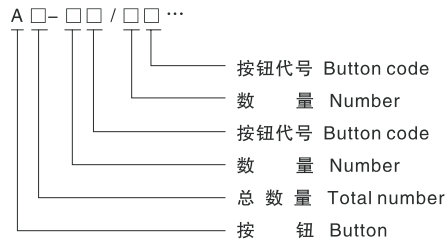
BZC8030

Ttype explosion-proof corrosion-proof operating post (II C)

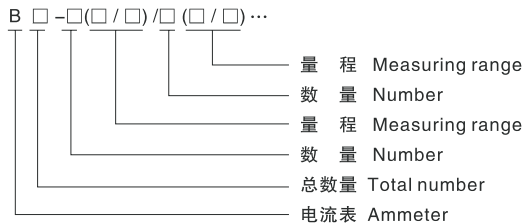
总单元含义 Application of chief part



第一单元含义 Application of first part



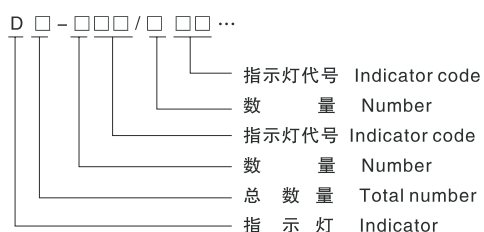
第二单元含义 Application of second part



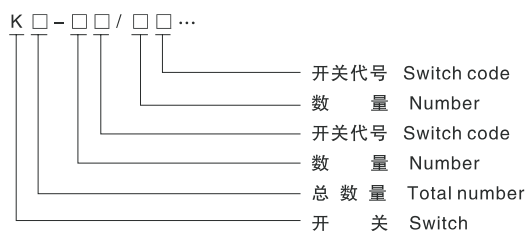
BZC8030

系列防爆防腐操作柱(ⅡC)

第三单元含义 Application of third part



第四单元含义 Application of forth part



技术参数 Technical parameters

- | | |
|---|--|
| <ul style="list-style-type: none"> ■ 执行标准: GB 3836.1、GB 3836.2、GB 3836.3、IEC60079 ■ 使用类别: AC-3、AC-4 ■ 额定电压: AC 380/220V ■ 额定电流: 16A ■ 防爆标志: Exed Ⅱ CT6 ■ 防护等级: IP65 ■ 防腐等级: WF2 ■ 进线口螺纹: G1" ■ 电缆外径: φ 11mm~φ 18mm | <ul style="list-style-type: none"> ■ Implementing the standard : GB 3836.1、GB 3836.2、GB 3836.3、IEC60079 ■ Using type: AC-3、AC-4 ■ Rated voltage: AC 380/220V ■ Rated current: 16A ■ Explosion-proof mark: Exed Ⅱ CT6 ■ Protection grade: IP65 ■ Explosion-proof class: WF2 ■ Inlet's thread: G1" ■ Cable spec : φ 11mm~φ 18mm |
|---|--|

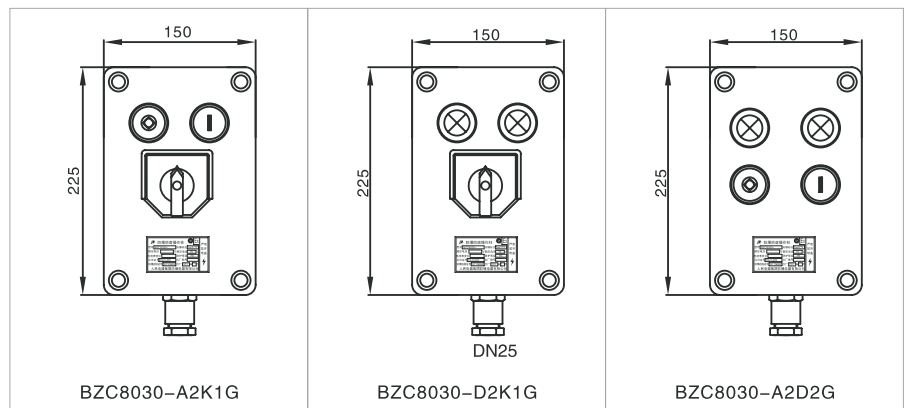
BZC8030

Type explosion-proof corrosion-proof operating post (II C)

产品特点 Features

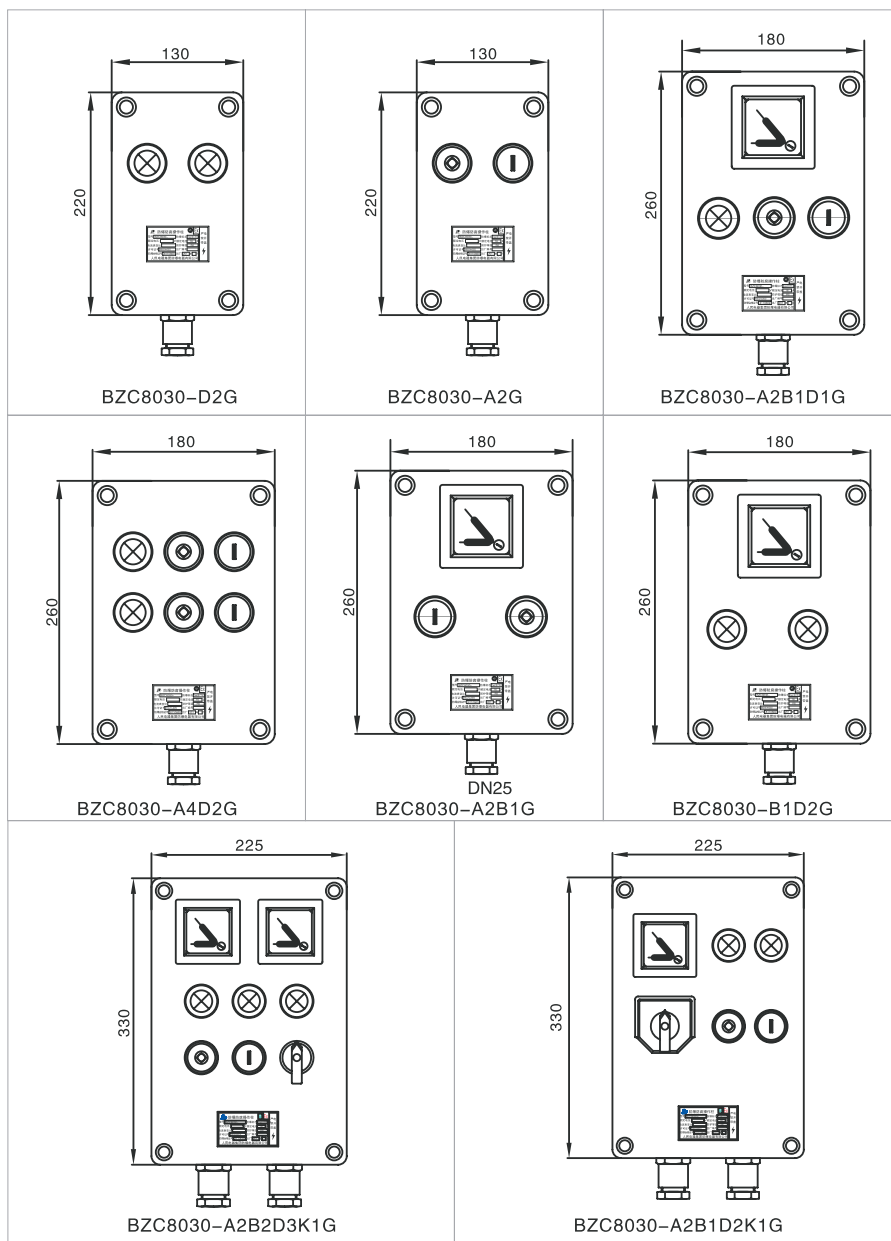
- 增安型外壳，内装防爆元件；
 - 外壳采用玻璃纤维增强不饱和聚酯树脂压制而成，具有外形美观，耐腐蚀，抗静电，耐冲击及热稳定性好等优良性能；
 - 隔爆型控制开关具有结构紧凑，可靠性好，体积小，通断能力强，寿命长，并有多种功能供用户选配；防爆按钮采用超声波封装工艺，保证了可靠的结合强度，按钮的功能可以两单元自由组合，防爆指示灯采用特殊的设计，交流220 V/380 V通用；
 - 采用曲路密封结构设计，具有良好的防水防尘性能；
 - 外露紧固件均用不锈钢，采用防掉式设计，便于用户安装，维护；
 - 钢管或电缆布线。
- The enclosure is increased safety inside 8030 are mounted Explosion-proof type elements.
- The shell mould-shaped by glass fiber reinforced and unsaturated polyester resin, has elegant shape excellent performance and functions of corrosion-proofing, electrostatic-insisting, impact-withstanding and perfect thermal reliability. Etc.
- The explosion-separate type control switch with compact structure, steady property, small volume, high capacity, and long life has several functions to be selected freely. Explosion-proofing button by ultrasonic encapsulation arts, ensuring the dependable combining intensity. The function of it can combine freely in two units. The explosion-proofing indicator by special design, using within the AC voltage scope of 220V/380V generally.
- Adopt curve-sealed structure, with the strong performances of waterproof and dustproof.
- The exposed fasteners are made of stainless steel, are designed in anti-lost way, it is very convenient to install and maintain.
- Steel tube or cable wiring

产品方案布置举例 Arranging of product project



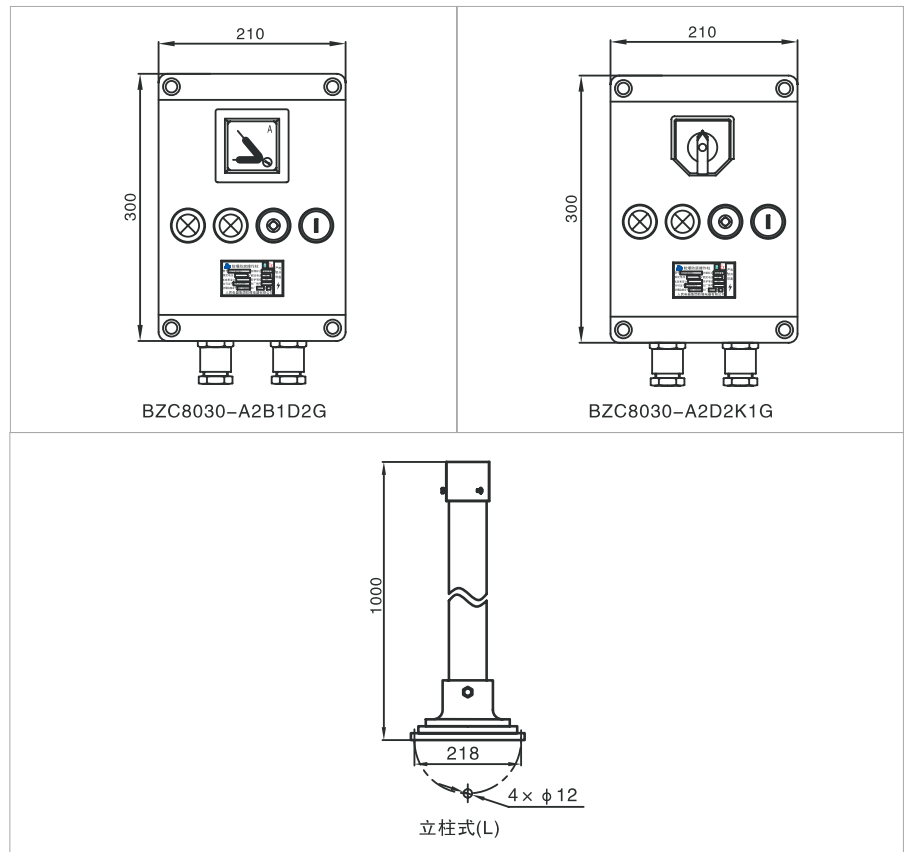
BZC8030

系列防爆防腐操作柱(II C)



BZC8030

Ttype explosion-proof corrosion-proof operating post (II C)



订货须知 Not ice if ordering

- 订货时请根据产品的型号含义注明所需产品的元件及数量；
- 操作柱正常配置为一个G1" 通头，如用户有特殊要求请注明。
- When placing an order, please give clear indication of number, specification, and number and specification of service entrance according to the model description;
- Operating post normal installing has one outlet terminal whose diameter is G1", please noted if the customer has particular request.