



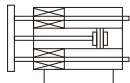
### 标准规格

| 内径(mm) | 6   | 10     | 12     | 16     | 20         | 25     | 32                     | 40 | 50         | 63 | 80 | 100 |
|--------|---|--------|--------|--------|------------|--------|------------------------|----|------------|----|----|-----|
| 动作方式   | 复动型                                       |        |        |        |            |        |                        |    |            |    |    |     |
| 工作介质   | 空气(经40μm以上滤网过滤)                           |        |        |        |            |        |                        |    |            |    |    |     |
| 使用压力范围 | 0.15~0.7MPa(22~100psi)                    |        |        |        |            |        | 0.15~1.0MPa(22~145psi) |    |            |    |    |     |
| 保证耐压力  | 1.05MPa(152psi)                           |        |        |        |            |        | 1.5MPa(215psi)         |    |            |    |    |     |
| 工作温度   | -20~70°C                                  |        |        |        |            |        |                        |    |            |    |    |     |
| 使用速度范围 | 50~500mm/s                                |        |        |        | 30~500mm/s |        |                        |    | 50~400mm/s |    |    |     |
| 行程公差范围 | ≤100 <sup>+1.0</sup> >100 <sup>+1.5</sup> |        |        |        |            |        |                        |    |            |    |    |     |
| 缓冲型式   | 防撞垫                                       |        |        |        |            |        |                        |    |            |    |    |     |
| *不回    | 直线轴承                                      | —      | ±0.08° | ±0.07° | ±0.06°     | ±0.05° | ±0.04°                 |    |            |    |    |     |
| 转精度    | 铜套轴承                                      | ±0.10° | ±0.10° | ±0.09° | ±0.08°     | ±0.06° | ±0.05°                 |    |            |    |    |     |
| **接管口径 | M3×0.5                                    |        | M5×0.8 |        | PT1/8      |        | PT1/4                  |    | PT3/8      |    |    |     |

\*不回转精度为气缸完全收回状态时，气缸固定板可回转的角度；

\*\*接管牙型有NPT、G牙可供选择；另：RETC系列全附磁。

### 符号

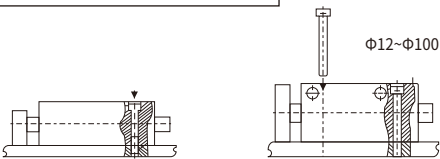


### 产品特性

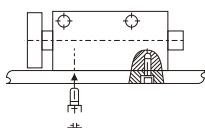
1. 执行JIS标准；
2. 两根专用轴承制作的导杆，用直线轴承或青铜轴承导向，具有高的抗扭转及抗侧向载荷能力；  
★注：钢珠直线轴承：适用于气缸作推举动作，或要求高精度和高承载能力的场合，特别适用于要求低摩擦运动的场合；  
青铜滑动轴承：适用于气缸作制动等耐轴向负荷动作的场合，较一般之制动缸相较提升2倍以上耐横向冲击力，且具有更大的扭转刚度。
3. 驱动单元与导向单元设计在同一体内，不需要额外的附件，最小的空间需求，具进气口可选择，安装更方便；
4. 本体底面、本体后端面及固定板上均各有两个精确定位(见外形图中之ΦPA孔及XX处孔)，对更高精度需求的场合，提供更高精度的定位安装；
5. 本体上的四个磁感应开关沟槽，提供感应开关多种安装方式；
6. 本体的特别设计，提供多方位的安装固定型式；

### 固定方式

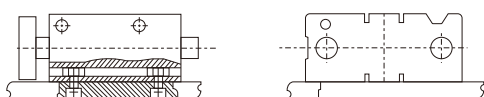
顶部螺丝固定(φ6~φ100)



底面螺丝固定(φ12~φ100)



底面T形槽固定(φ12~φ100)

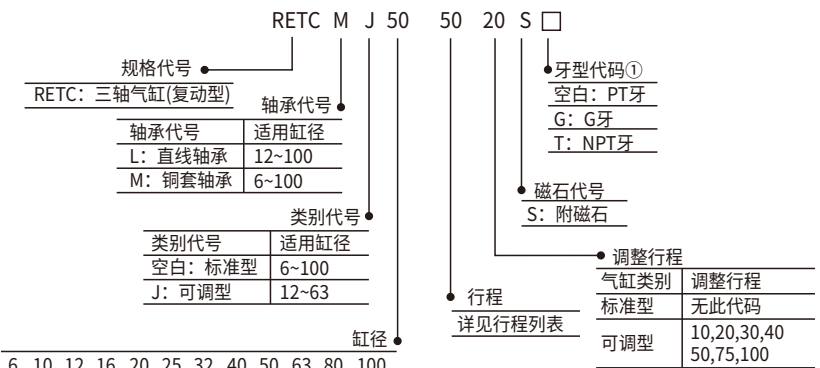


### 行程

| 内径(mm)      | 标准行程(mm) |    |    |    |    |    |    |    |    |     |     | 最大行程 |     |     |     |     |     |     |
|-------------|----------|----|----|----|----|----|----|----|----|-----|-----|------|-----|-----|-----|-----|-----|-----|
| 6           | 5        | 10 | 15 | 20 |    |    |    |    |    |     |     |      | 20  |     |     |     |     |     |
| 10          | 5        | 10 | 15 | 20 | 25 | 30 |    |    |    |     |     |      | 30  |     |     |     |     |     |
| 12          | 10       | 20 | 25 | 30 | 40 | 50 | 60 | 70 | 75 | 80  | 90  | 100  | 125 | 150 | 150 |     |     |     |
| 16          | 10       | 20 | 25 | 30 | 40 | 50 | 60 | 70 | 75 | 80  | 90  | 100  | 125 | 150 | 175 | 200 | 200 |     |
| 20/25       | 20       | 25 | 30 | 40 | 50 | 60 | 70 | 75 | 80 | 90  | 100 | 125  | 150 | 175 | 200 | 225 | 250 | 250 |
| 32/40/50/63 | 25       | 30 | 40 | 50 | 60 | 70 | 75 | 80 | 90 | 100 | 125 | 150  | 175 | 200 | 225 | 250 | 250 |     |
| 80/100      | 25       | 30 | 40 | 50 | 60 | 70 | 75 | 80 | 90 | 100 | 125 | 150  | 175 | 200 | 225 | 250 | 250 |     |

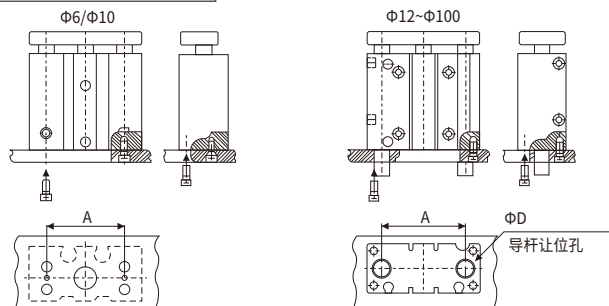
注：与标准行程相差1~5mm的非标准行程气缸，由上一级标准行程气缸改制而成，外形尺寸与其相同。如行程为86的非标准行程气缸是由标准行程为90的标准气缸改制而成，其外形尺寸与其相同；而行程为84的非标准行程气缸因与上一级标准行程90相差6mm，则只能以非标形式下单订购。

### 型号表示方法



①：当接管为M5牙时，此项代码为空。另：RETC系列全附磁。

### 后面螺丝固定(φ6~φ100)



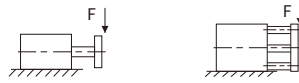
| 符号/缸径   | 6     | 10  | 12  | 16 | 20 | 25 | 32 | 40 | 50  | 63  | 80  | 100 |
|---------|-------|-----|-----|----|----|----|----|----|-----|-----|-----|-----|
| A       | 20.5  | 23  | 41  | 46 | 54 | 64 | 78 | 86 | 110 | 124 | 156 | 188 |
| D (Min) | RETCM | 无需要 | 无需要 | 8  | 10 | 12 | 14 | 18 | 18  | 22  | 22  | 30  |
|         | RETCL | —   | —   |    |    |    |    |    |     |     |     | 25  |
|         |       |     |     |    |    |    |    |    |     |     |     | 30  |

**容许负载及扭矩**

| 内径 | 型式 | 行程(mm) |    |    |    |    |    |    |    |    |    |    |    |    |     |     |     |     |     |
|----|----|--------|----|----|----|----|----|----|----|----|----|----|----|----|-----|-----|-----|-----|-----|
|    |    | 5      | 10 | 15 | 20 | 25 | 30 | 40 | 50 | 60 | 70 | 75 | 80 | 90 | 100 | 125 | 150 | 175 | 200 |

容许最大侧向负载

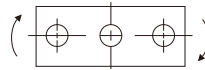
单位: 牛顿(N)



|    |       |   |    |   |    |     |     |     |     |     |     |     |     |     |     |     |     |     |     |     |     |
|----|-------|---|----|---|----|-----|-----|-----|-----|-----|-----|-----|-----|-----|-----|-----|-----|-----|-----|-----|-----|
| 12 | RETCM | - | 44 | - | 33 | 29  | 26  | 41  | 36  | 30  | 28  | 26  | 25  | 24  | 22  | 19  | 17  | -   | -   | -   | -   |
|    | RETCL | - | 37 | - | 27 | 25  | 22  | 35  | 30  | 27  | 24  | 23  | 21  | 19  | 18  | 15  | 12  | -   | -   | -   | -   |
| 16 | RETCM | - | 67 | - | 51 | 42  | 37  | 63  | 58  | 49  | 41  | 37  | 35  | 33  | 32  | 27  | 24  | 22  | 20  | -   | -   |
|    | RETCL | - | 54 | - | 40 | 37  | 32  | 54  | 47  | 42  | 38  | 35  | 32  | 30  | 28  | 23  | 20  | 17  | 15  | -   | -   |
| 20 | RETCM | - | -  | - | 78 | 61  | 57  | 123 | 112 | 99  | 91  | 67  | 84  | 79  | 75  | 66  | 59  | 54  | 49  | 45  | 42  |
|    | RETCL | - | -  | - | 58 | 52  | 48  | 101 | 90  | 83  | 74  | 70  | 69  | 63  | 58  | 62  | 54  | 48  | 43  | 39  | 35  |
| 25 | RETCM | - | -  | - | 93 | 89  | 76  | 142 | 131 | 119 | 107 | 101 | 97  | 90  | 85  | 68  | 79  | 71  | 65  | 61  | 55  |
|    | RETCL | - | -  | - | 82 | 79  | 68  | 132 | 118 | 109 | 99  | 93  | 88  | 81  | 77  | 80  | 70  | 62  | 55  | 50  | 45  |
| 32 | RETCM | - | -  | - | -  | 203 | 190 | 179 | 164 | 221 | 197 | 182 | 172 | 163 | 157 | 142 | 127 | 116 | 106 | 98  | 91  |
|    | RETCL | - | -  | - | -  | 191 | 182 | 166 | 157 | 207 | 178 | 164 | 156 | 150 | 144 | 203 | 186 | 171 | 158 | 146 | 137 |
| 40 | RETCM | - | -  | - | -  | 203 | 190 | 179 | 164 | 221 | 197 | 182 | 172 | 163 | 159 | 142 | 127 | 116 | 106 | 97  | 91  |
|    | RETCL | - | -  | - | -  | 190 | 182 | 166 | 157 | 210 | 179 | 163 | 156 | 150 | 144 | 203 | 185 | 171 | 158 | 146 | 137 |
| 50 | RETCM | - | -  | - | -  | 296 | 283 | 268 | 245 | 303 | 288 | 273 | 266 | 253 | 241 | 216 | 195 | 179 | 164 | 155 | 142 |
|    | RETCL | - | -  | - | -  | 208 | 196 | 185 | 173 | 259 | 232 | 223 | 212 | 207 | 199 | 264 | 242 | 224 | 207 | 195 | 181 |
| 63 | RETCM | - | -  | - | -  | 296 | 283 | 268 | 245 | 303 | 288 | 273 | 266 | 253 | 241 | 216 | 195 | 179 | 164 | 153 | 142 |
|    | RETCL | - | -  | - | -  | 206 | 196 | 180 | 171 | 259 | 232 | 221 | 212 | 205 | 196 | 26  | 240 | 221 | 205 | 191 | 178 |

容许最大扭矩

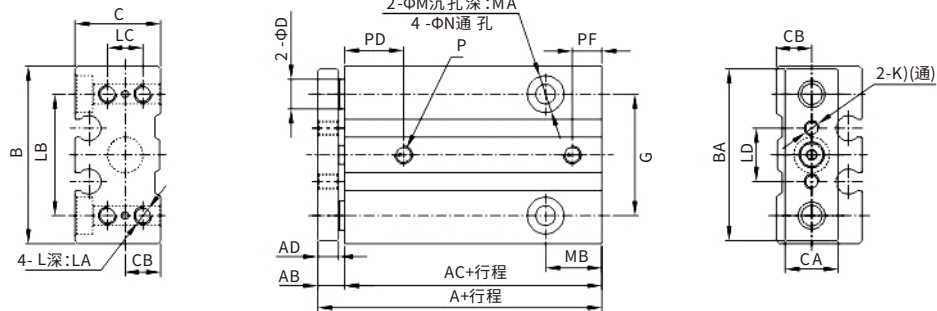
单位: 牛顿·米(N·m)



|     |       |   |      |   |      |       |       |       |       |       |       |       |       |       |       |       |       |       |       |      |      |
|-----|-------|---|------|---|------|-------|-------|-------|-------|-------|-------|-------|-------|-------|-------|-------|-------|-------|-------|------|------|
| 12  | RETCM | - | 0.90 | - | 0.79 | 0.71  | 0.65  | 0.77  | 0.72  | 0.65  | 0.53  | 0.50  | 0.47  | 0.41  | 0.36  | 0.31  | 0.27  | -     | -     | -    | -    |
|     | RETCL | - | 0.61 | - | 0.45 | 0.40  | 0.35  | 0.58  | 0.50  | 0.44  | 0.39  | 0.37  | 0.35  | 0.32  | 0.29  | 0.24  | 0.20  | -     | -     | -    | -    |
| 16  | RETCM | - | 1.21 | - | 1.04 | 0.94  | 0.88  | 1.23  | 1.11  | 0.99  | 0.72  | 0.69  | 0.65  | 0.61  | 0.58  | 0.50  | 0.44  | 0.40  | 0.36  | -    | -    |
|     | RETCL | - | 0.99 | - | 0.74 | 0.66  | 0.59  | 0.99  | 0.86  | 0.77  | 0.69  | 0.65  | 0.61  | 0.57  | 0.52  | 0.43  | 0.37  | 0.32  | 0.28  | -    | -    |
| 20  | RETCM | - | -    | - | 1.57 | 1.42  | 1.31  | 2.39  | 2.15  | 1.97  | 1.90  | 1.88  | 1.86  | 1.72  | 1.63  | 1.44  | 1.28  | 1.16  | 1.06  | 1.01 | 0.90 |
|     | RETCL | - | -    | - | 1.26 | 1.14  | 1.03  | 2.17  | 1.94  | 1.79  | 1.59  | 1.52  | 1.46  | 1.33  | 1.25  | 1.34  | 1.17  | 1.03  | 0.93  | 0.88 | 0.76 |
| 25  | RETCM | - | -    | - | 2.40 | 2.22  | 2.01  | 3.66  | 3.35  | 3.17  | 3.06  | 2.96  | 2.91  | 2.77  | 2.57  | 2.26  | 2.02  | 1.83  | 1.67  | 1.57 | 1.42 |
|     | RETCL | - | -    | - | 2.11 | 1.96  | 1.75  | 3.37  | 3.02  | 2.71  | 2.42  | 2.38  | 2.33  | 2.19  | 1.97  | 2.05  | 1.78  | 1.58  | 1.41  | 1.22 | 1.16 |
| 32  | RETCM | - | -    | - | -    | 6.35  | 6.00  | 5.73  | 5.13  | 5.98  | 5.74  | 5.69  | 5.62  | 5.11  | 4.97  | 4.42  | 3.98  | 3.61  | 3.31  | 2.97 | 2.84 |
|     | RETCL | - | -    | - | -    | 5.95  | 5.73  | 5.44  | 4.89  | 5.43  | 5.15  | 5.11  | 5.02  | 4.70  | 4.51  | 6.34  | 5.79  | 5.33  | 4.93  | 4.33 | 4.29 |
| 40  | RETCM | - | -    | - | -    | 7.00  | 6.60  | 6.11  | 5.66  | 6.66  | 6.31  | 6.27  | 6.23  | 5.86  | 5.48  | 4.78  | 4.38  | 3.98  | 3.65  | 3.34 | 3.13 |
|     | RETCL | - | -    | - | -    | 6.55  | 6.21  | 5.77  | 5.39  | 6.17  | 5.67  | 5.62  | 5.58  | 5.33  | 4.96  | 6.98  | 6.38  | 5.87  | 5.43  | 5.00 | 4.72 |
| 50  | RETCM | - | -    | - | -    | 13.00 | 12.60 | 11.00 | 10.80 | 13.70 | 12.70 | 12.00 | 11.80 | 11.10 | 10.80 | 9.50  | 8.60  | 7.86  | 7.24  | 6.80 | 6.24 |
|     | RETCL | - | -    | - | -    | 9.17  | 8.75  | 8.30  | 7.62  | 10.30 | 9.94  | 9.83  | 9.77  | 8.82  | 8.74  | 11.60 | 10.70 | 9.83  | 9.12  | 8.95 | 7.95 |
| 63  | RETCM | - | -    | - | -    | 14.70 | 13.60 | 12.90 | 12.10 | 19.40 | 16.20 | 13.50 | 12.70 | 12.10 | 11.90 | 10.70 | 9.69  | 8.86  | 8.16  | 7.52 | 7.04 |
|     | RETCL | - | -    | - | -    | 10.20 | 9.74  | 9.20  | 8.48  | 17.50 | 14.00 | 11.00 | 10.60 | 10.20 | 9.74  | 13.00 | 11.90 | 11.00 | 10.20 | 9.63 | 8.84 |
| 80  | RETCM | - | -    | - | -    | 21.9  | 20.8  | 19.7  | 18.6  | 15.8  | 24    | 22.9  | 21.7  | 21    | 20.5  | 18.6  | 17    | 15.6  | 14.5  | 13.5 | 12.6 |
|     | RETCL | - | -    | - | -    | 15.1  | 14.3  | 13.6  | 12.9  | 12.2  | 23.8  | 22.7  | 21.6  | 21    | 20.6  | 18.9  | 17.3  | 16    | 14.8  | 13.5 | 12.9 |
| 100 | RETCM | - | -    | - | -    | 38.8  | 36.8  | 35.0  | 33.5  | 28.5  | 39.4  | 37.5  | 35.6  | 34.5  | 33.8  | 30.9  | 28.4  | 26.2  | 24.4  | 22.5 | 21.4 |
|     | RETCL | - | -    | - | -    | 27.1  | 25.7  | 24.4  | 23.0  | 26    | 39.8  | 37.9  | 36    | 35.2  | 34.6  | 31.8  | 29.3  | 27.2  | 25.3  | 23.5 | 22.1 |

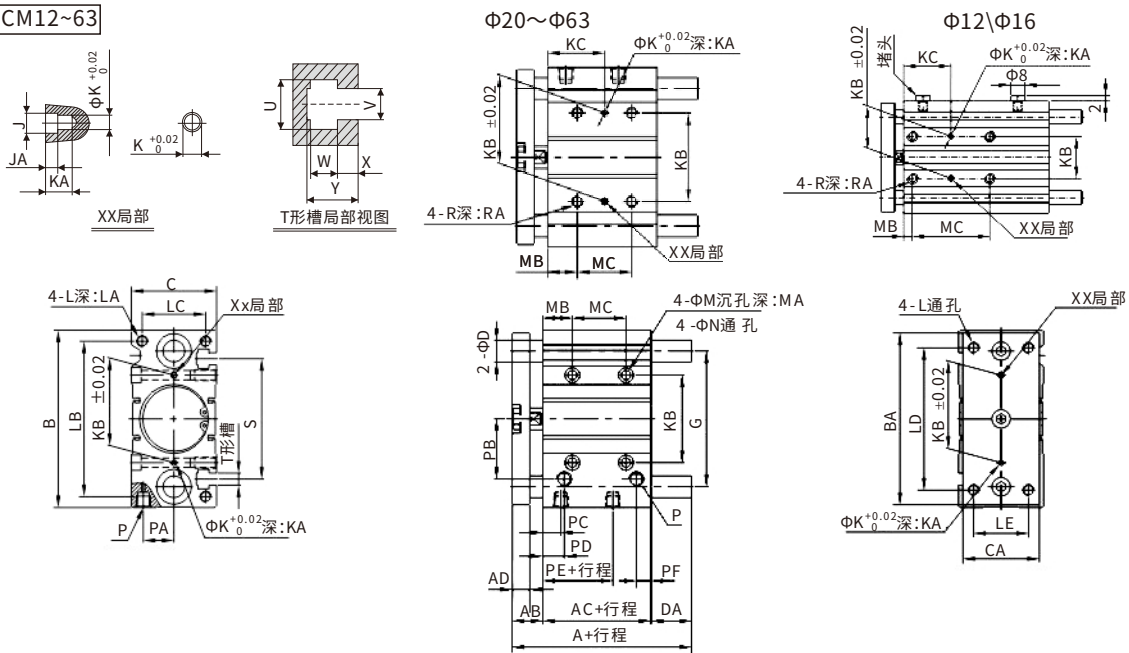
**外形尺寸图(毫米)**

RETCM6/RETCM10



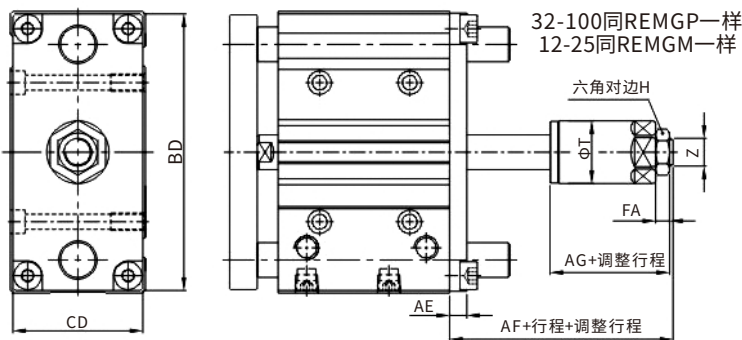
| 缸径/符号 | A    | AB | AC   | AD | B  | BA | C    | CA | CB  | D | G    | K         | L      | LA | LB   | LC | LD | M | MA | MB  | N   | P      | PD   | PF  |
|-------|------|----|------|----|----|----|------|----|-----|---|------|-----------|--------|----|------|----|----|---|----|-----|-----|--------|------|-----|
| 6     | 29.5 | 6  | 23.5 | 5  | 30 | 29 | 14.5 | 9  | 6   | 5 | 20.5 | M2.5×0.45 | M3×0.5 | 5  | 20.5 | 6  | 9  | 6 | 3  | 9.5 | 3.5 | M3×0.5 | 9.5  | 5.5 |
| 10    | 32   | 6  | 26   | 5  | 34 | 33 | 18   | 10 | 7.5 | 6 | 23   | M3×0.5    | M4×0.7 | 5  | 23   | 8  | 11 | 8 | 4  | 8.5 | 4.5 | M3×0.8 | 11.5 | 5   |

RETCL/RETCM12~63



| 符号\行程 | A     |       |        |         | DA    |        |        |          | MC       |       |        |         | KC      |     |        |         |      |     |        |         |      |
|-------|-------|-------|--------|---------|-------|--------|--------|----------|----------|-------|--------|---------|---------|-----|--------|---------|------|-----|--------|---------|------|
|       | RETCL | RETCM | RETCL  | RETCM   | RETCL | RETCL  | RETCL  | RETCL    | RETCM    | RETCM | RETCM  | RETCM   | MC      | MC  | MC     | MC      | KC   | KC  | KC     | KC      |      |
| 行程    | ≤30   | ≤50   | 31~100 | 101~200 | >200  | ≤30    | 31~100 | 101~200  | >200     | ≤30   | 31~100 | 101~200 | >200    | ≤30 | 31~100 | 101~200 | >200 | ≤30 | 31~100 | 101~200 | >200 |
| 12    | 42    | 55    | 85     | —       | 0     | 13     | 43     | —        | 0        | 13    | 43     | —       | 20      | 40  | 110    | —       | 15   | 25  | 60     | —       |      |
| 16    | 46    | 65    | 95     | —       | 0     | 19     | 49     | —        | 0        | 19    | 49     | —       | 24      | 44  | 110    | —       | 17   | 27  | 60     | —       |      |
| 20    | 53    | 80    | 104    | 122     | 0     | 27     | 51     | 69       | 0        | 27    | 51     | 69      | 24      | 44  | 120    | 200     | 29   | 39  | 77     | 117     |      |
| 25    | 53.5  | 82    | 104.5  | 122     | 0     | 28.5   | 51     | 68.5     | 0        | 28.5  | 51     | 68.5    | 24      | 44  | 120    | 200     | 29   | 39  | 77     | 117     |      |
| 行程    | ≤50   | ≤50   | 51~100 | 101~200 | >200  | ≤50    | 51~100 | 101~200  | >200     | ≤50   | 51~100 | 101~200 | >200    | ≤40 | 41~100 | 101~200 | >200 | ≤40 | 41~100 | 101~200 | >200 |
| 32    | 65    | 78    | 102    | 118     | 140   | 5.5    | 42.5   | 58.5     | 80.5     | 18.5  | 42.5   | 58.5    | 80.5    | 24  | 48     | 124     | 200  | 33  | 45     | 83      | 121  |
| 40    | 66    | 78    | 102    | 118     | 140   | 0      | 36     | 52       | 74       | 12    | 36     | 52      | 74      | 24  | 48     | 124     | 200  | 34  | 46     | 84      | 122  |
| 50    | 76    | 89    | 118    | 134     | 161   | 4      | 46     | 62       | 89       | 17    | 46     | 62      | 89      | 24  | 48     | 124     | 200  | 36  | 48     | 86      | 124  |
| 63    | 77    | 89    | 118    | 134     | 161   | 0      | 41     | 57       | 84       | 12    | 41     | 57      | 84      | 28  | 52     | 128     | 200  | 38  | 50     | 88      | 124  |
| 符号\行程 | AB    | AC    | AD     | B       | BA    | C      | CA     | D(RETCL) | D(RETCM) | G     | J      | JA      | K       | KA  | KB     | L       | LA   | LB  | LC     | LD      |      |
| 12    | 13    | 29    | 7      | 58      | 56    | 26     | 22     | 6        | 8        | 41    | 3.5    | 3       | 3       | 6   | 23     | M4×0.7  | 10   | 50  | 18     | 48      |      |
| 16    | 13    | 33    | 7      | 64      | 62    | 30     | 25     | 8        | 10       | 46    | 3.5    | 3       | 3       | 6   | 24     | M5×0.8  | 12   | 56  | 22     | 54      |      |
| 20    | 16    | 37    | 8      | 83      | 81    | 36     | 30     | 10       | 12       | 54    | 3.5    | 3       | 3       | 6   | 28     | M5×0.8  | 13   | 72  | 24     | 70      |      |
| 25    | 16    | 37.5  | 9      | 93      | 91    | 42     | 38     | 12       | 16       | 64    | 4.5    | 3       | 4       | 6   | 34     | M6×1.0  | 15   | 82  | 30     | 78      |      |
| 32    | 22    | 37.5  | 10     | 112     | 110   | 48     | 44     | 16       | 20       | 78    | 4.5    | 3       | 4       | 6   | 42     | M8×1.25 | 20   | 98  | 34     | 96      |      |
| 40    | 22    | 44    | 10     | 120     | 118   | 54     | 44     | 16       | 20       | 86    | 4.5    | 3       | 4       | 6   | 50     | M8×1.25 | 20   | 106 | 40     | 104     |      |
| 50    | 28    | 44    | 12     | 148     | 146   | 64     | 60     | 20       | 25       | 110   | 6      | 4       | 5       | 8   | 66     | M10×1.5 | 22   | 130 | 46     | 130     |      |
| 63    | 28    | 49    | 12     | 162     | 158   | 78     | 70     | 20       | 25       | 124   | 6      | 4       | 5       | 8   | 80     | M10×1.5 | 22   | 142 | 58     | 130     |      |
| 符号\行程 | LE    | M     | MA     | MB      | N     | P      | PA     | PB       | PC       | PD    | PE     | PF      | R       | RA  | S      | U       | V    | W   | X      | Y       |      |
| 12    | 14    | 8     | 4.5    | 5       | 4.5   | M5×0.8 | 8      | 18       | 11       | 11    | 13     | 7.5     | M5×0.8  | 10  | 37     | 7.5     | 4.5  | 4   | 2      | 6.5     |      |
| 16    | 16    | 8     | 4.5    | 5       | 4.5   | M5×0.8 | 10     | 19       | 11       | 11    | 15     | 8       | M5×0.8  | 10  | 38     | 7.5     | 4.5  | 4   | 2.5    | 7       |      |
| 20    | 18    | 9.5   | 5.5    | 17      | 5.5   | G1/8   | 10.5   | 25       | 10.5     | 10.5  | 12.5   | 9       | M6×1.0  | 12  | 44     | 8.5     | 5.5  | 4.5 | 3      | 8       |      |
| 25    | 26    | 9.5   | 5.5    | 17      | 5.5   | G1/8   | 13.5   | 28.5     | 11.5     | 11.5  | 12.5   | 9       | M6×1.0  | 12  | 50     | 8.5     | 5.5  | 4.5 | 3      | 9.5     |      |
| 32    | 30    | 11    | 7.5    | 21      | 6.5   | G1/8   | 15     | 34       | 12.5     | 12.5  | 7      | 9       | M8×1.25 | 16  | 63     | 10.5    | 6.5  | 5.5 | 3.5    | 9.5     |      |
| 40    | 30    | 11    | 7.5    | 22      | 6.5   | G1/8   | 18     | 38       | 14       | 14    | 13     | 10      | M8×1.25 | 16  | 72     | 10.5    | 6.5  | 5.5 | 4      | 11      |      |
| 50    | 40    | 14    | 9      | 24      | 8.5   | G1/4   | 21.5   | 47       | 12       | 14    | 9      | 11      | M10×1.5 | 20  | 92     | 13.5    | 8.5  | 7.5 | 4.5    | 13.5    |      |
| 63    | 50    | 14    | 9      | 24      | 8.5   | G1/4   | 28     | 55       | 16.5     | 16.5  | 14     | 13.5    | M10×1.5 | 20  | 110    | 18      | 11   | 10  | 7      | 18.5    |      |

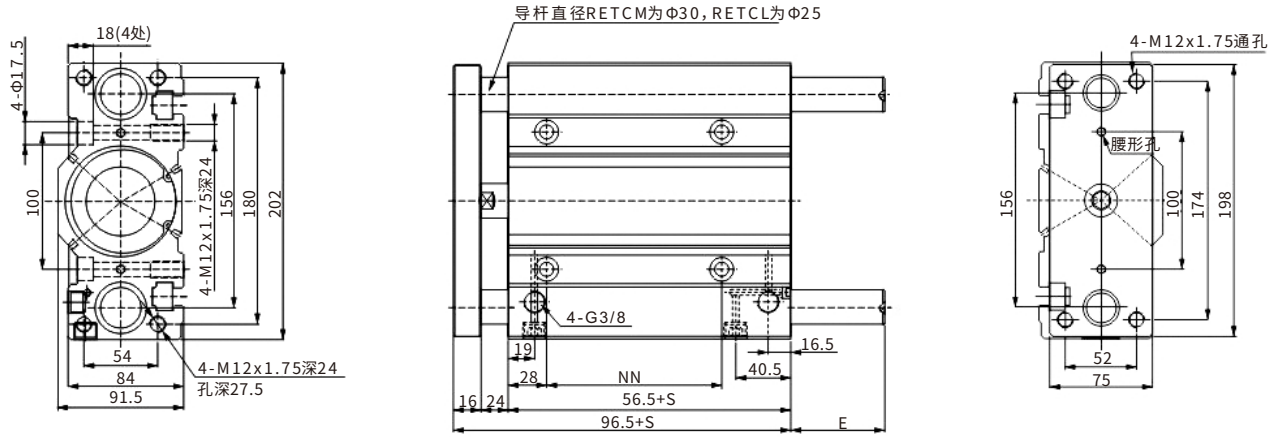
RETCL/RETCMJ12~RETCLJ/RETCMJ63



| 缸径/符号 | AE | AF | AG | BD    | CD   | FA | H  | T  | Z        |
|-------|----|----|----|-------|------|----|----|----|----------|
| 12    | 5  | 21 | 17 | 57.5  | 25.5 | 4  | 8  | 12 | M5×0.8   |
| 16    | 5  | 21 | 21 | 63.5  | 29.5 | 5  | 10 | 15 | M5×0.8   |
| 20    | 6  | 26 | 25 | 82    | 34   | 6  | 12 | 20 | M6×1.0   |
| 25    | 6  | 27 | 27 | 92.5  | 40.5 | 6  | 17 | 24 | M6×1.0   |
| 32    | 8  | 35 | 28 | 111.5 | 47.5 | 7  | 17 | 32 | M10×1.25 |
| 40    | 8  | 35 | 28 | 119.5 | 53.5 | 7  | 17 | 32 | M10×1.25 |
| 50    | 10 | 46 | 29 | 147   | 63   | 8  | 23 | 36 | M14×1.5  |
| 63    | 10 | 46 | 29 | 159   | 75   | 8  | 23 | 36 | M14×1.5  |

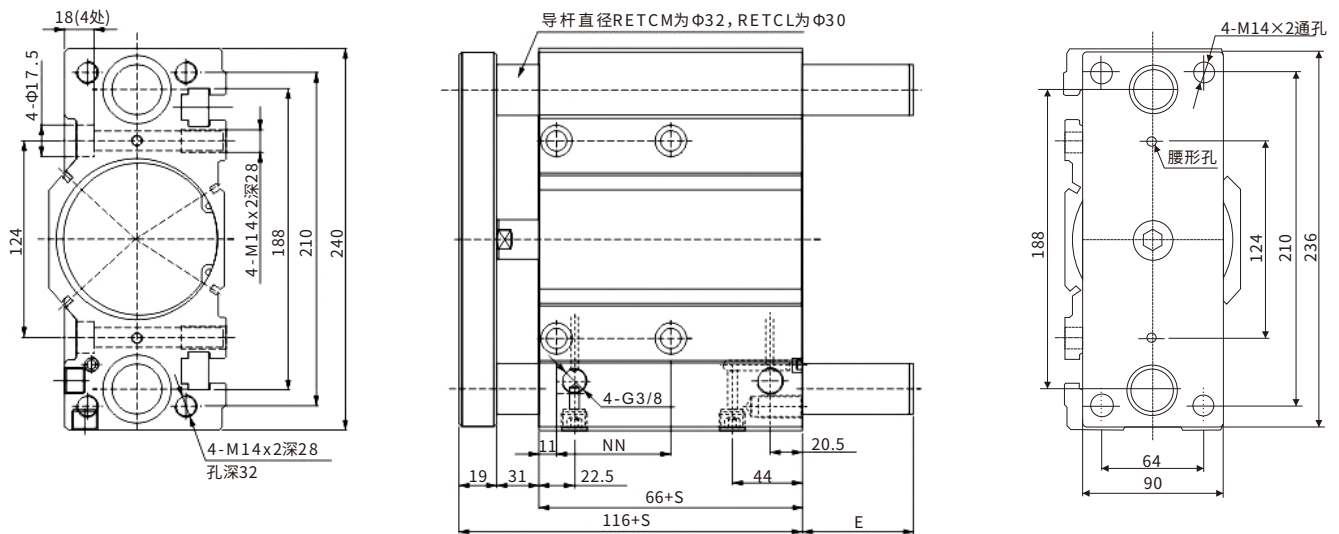
注：未标注之尺寸与RETCL/RETCM标准型相同

RETCL/RETCLM80



| 符号行程 | 25                 | 30 | 40 | 50 | 60 | 70 | 75 | 80 | 100 | 125 | 150 | 175 | 200 | 225 | 250 |     |  |
|------|--------------------|----|----|----|----|----|----|----|-----|-----|-----|-----|-----|-----|-----|-----|--|
| E    | RETCLM=16/RETCL=10 |    |    |    |    |    |    |    |     |     |     |     |     |     |     |     |  |
| NN   | 28                 |    |    |    |    |    | 52 |    | 69  |     | 128 |     |     | 91  |     | 200 |  |

RETCL/RETCLM100



| 符号行程 | 25                | 30 | 40 | 50 | 60 | 70 | 75 | 80 | 100 | 125 | 150 | 175 | 200 | 225 | 250 |     |  |
|------|-------------------|----|----|----|----|----|----|----|-----|-----|-----|-----|-----|-----|-----|-----|--|
| E    | RETCLM=12/RETCL=6 |    |    |    |    |    |    |    |     |     |     |     |     |     |     |     |  |
| NN   | 48                |    |    |    |    |    | 72 |    | 70  |     | 148 |     |     | 92  |     | 220 |  |